



Product data sheet

Rail with shower head holder 950.33.10051

HEWI



Similar picture

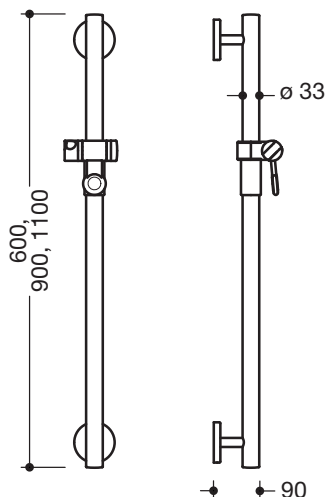
Rail with shower head holder 950.33.10051

- vertical rail with supports perpendicular to the wall and roses, with shower head holder
- made of high-quality chrome-look coated polyamide that is warm to touch
- shower head holder made of high-quality polyamide in HEWI colour 98 (signal white)
- with continuous, corrosion resistant steel core
- outside dimension 600 mm
- rail diameter 33 mm, 90 mm deep
- wall connection with discreet supports (diameter 18 mm) perpendicular to wall and flat roses
- rose diameter 80 mm, cap height 13 mm
- shower head holder can be continuously tilted and, after pulling or pushing a large lever, its height can be adjusted
- conical adapter on shower head holder makes it easier to hook in the handheld shower head
- suitable for shower heads of various manufacturers
- easy installation due to individually installed mounting plates made of high-quality stainless steel for hanging the shower head rail
- fixing with grub screw located on the underside of the rose
- including non-corrosive HEWI fixing material

Article no.: HEWI 950.33.10051



Dimensions



Surface/Color

WARM TOUCH	98
Chrome-look coated polyamide	Shower head holder

Alternative surface/color

WARM TOUCH	92
Chrome-look coated polyamide	Shower head holder

Technical information subject to alteration, September 2nd, 2019

HEWI Inc.
80 Pine Street, 24th Floor
New York, NY 10005

Phone: 646 405-1032
Fax: 646 405-1027

hewi@hewi.us
www.hewi.com