

Product data sheet

L-shaped support rail WARM TOUCH 950.22.13050

HEWI



Similar picture

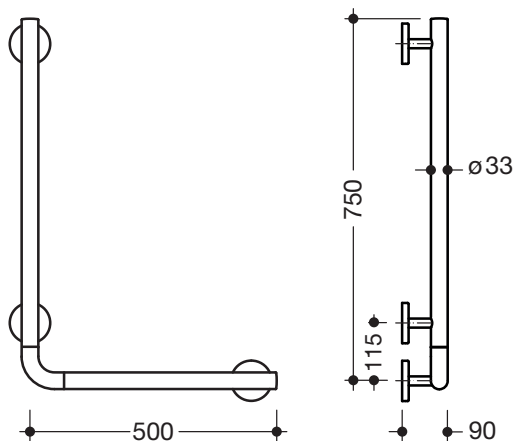
L-shaped support rail WARM TOUCH 950.22.13050

- vertically and horizontally arranged rails connected at right-angles
- for holding on to and providing support
- made of high-quality chrome-look coated polyamide that is warm to touch
- with continuous, corrosion resistant steel core
- horizontal length 500 mm, vertical length 750 mm, 90 mm deep, rail diameter 33 mm
- wall connection with discreet supports (diameter 18 mm) perpendicular to wall and flat roses
- rose diameter 80 mm, cap height 13 mm
- easy installation due to individually installed mounting plates made of high-quality stainless steel for hanging the L-shaped support rail
- fixing with grub screw located on the underside of the rose
- can be mounted in left hand or right hand position
- including non-corrosive HEWI fixing material
- fulfils the ÖNORM B1600/1601 requirements

Article no.: HEWI 950.22.13050



Dimensions



Surface

WARM TOUCH

Chrome-look coated polyamide

Technical information subject to alteration, March 20th, 2020

HEWI Inc.
350 Fifth Avenue, Suite 5220
New York, NY 10118

Phone: 866 853-8003

hewi@hewi.us
www.hewi.com