

Product data sheet
Foam soap dispenser 950.06.150

HEWI

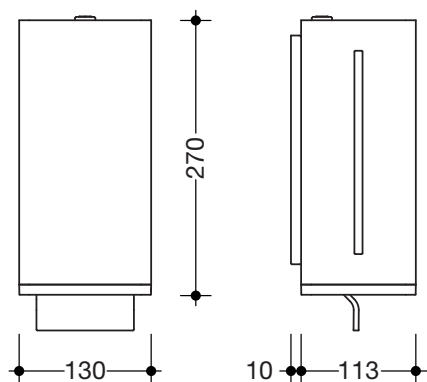


Foam soap dispenser 950.06.150

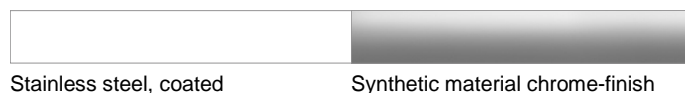
- cubic body with recessed wall base
- used to hold standard foam soap
- with inner container for free filling, capacity 1000 ml
- inner container can be removed for cleaning
- side level indicator
- with locking system as protection against misuse
- 130 mm wide, 270 mm high and 113 mm deep, wall-mounted base 10 mm deep
- for wall mounting
- made of high-quality stainless steel, coated white
- lever made of high-quality, white synthetic material
- functional end made of high-quality synthetic material, chrome-plated
- including non-corrosive HEWI fixing material

Article no.: HEWI 950.06.150

Dimensions



Surfaces



Technical information subject to alteration, March 20th, 2020

HEWI Inc.
350 Fifth Avenue, Suite 5220 Phone: 866 853-8003
New York, NY 10118

hewi@hewi.us
www.hewi.com