

Product data sheet
Walking aid bracket system 900 900.90.001XA

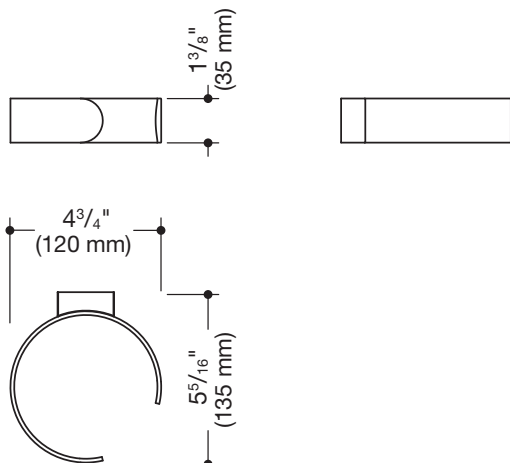
HEWI

Walking aid bracket system 900 900.90.001XA

- made of high-quality stainless steel, matt sanded
- 4 3/4 inch (120 mm) wide, 1 3/8 inch (35 mm) high, 5 5/16 inch (135 mm) deep
- for wall mounting, concealed fixing
- includes non-corroding HEWI fixing material



Dimensions



Surface

XA

Alternative surfaces

Chr

DX

DC

AY

SC

Technical information subject to alteration, August 18th, 2021

HEWI Inc.
350 Fifth Avenue, Suite 5220
New York, NY 10118

Phone: (917) 734-4112

hewi@hewi.us
www.hewi.com