

## Product data sheet

Toilet roll holder with cover System 900  
900.21.00540

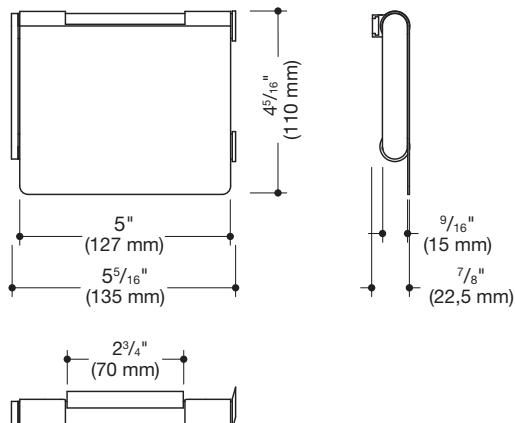
# HEWI



### Toilet roll holder with cover System 900 900.21.00540

- U-shaped holder with cover, opened to the right
- hinged
- made of high-quality stainless steel, chrome-plated
- 5 5/16 inch (135 mm) wide, 4 5/16 inch (110 mm) high, ø 9/16 inch (15 mm)
- for wall mounting, concealed fixing
- including corrosion-free HEWI fixing material

### Dimensions



### Surface

Chr

### Alternative surfaces

XA

DX

DC

AY

SC

Technical information subject to alteration, August 18th, 2021

HEWI Inc.  
350 Fifth Avenue, Suite 5220  
New York, NY 10118

Phone: (917) 734-4112

hewi@hewi.us  
www.hewi.com