

Product data sheet

Large toilet roll holder from the System 900 range
900.21.00160

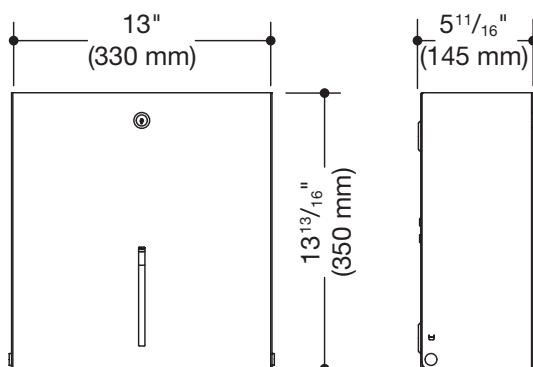
HEWI



Large toilet roll holder from the System 900 range 900.21.00160

- angular base body
- for holding a standard large toilet roll in diameters from 9 13/16 - 12 5/8 inch (250 - 320 mm)
- level indicator at the front
- protection against misuse by locking device
- for wall mounting
- 13 inch (330 mm) wide, 13 3/4 inch (350 mm) high and 5 11/16 inch (145 mm) deep
- made of high-quality stainless steel, powder coated in the HEWI colours DX (matt white), DC (matt black), AY (matt light grey pearl mica) and SC (matt dark grey pearl mica)
- tear-off edge made of stainless steel, powder coated
- extension possible with carousel 900.21.E01
- including corrosion-free HEWI fixing material

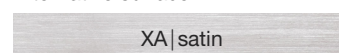
Dimensions



Surfaces



Alternative surface



Technical information subject to alteration, August 11th, 2020

HEWI Inc.
350 Fifth Avenue, Suite 5220 Phone: 866 853-8003
New York, NY 10118

hewi@hewi.us
www.hewi.com