

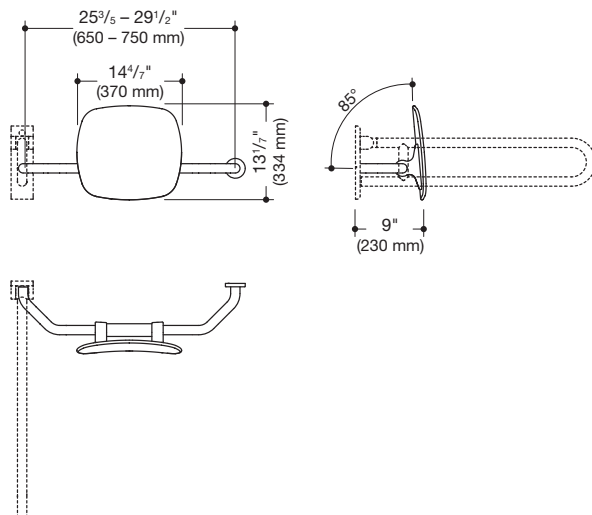
**Back rest, Series 801 801.51.9273R**

- back rest with rods and fixing rosettes on both sides
- user-friendly wall distance of 230 mm - serves to support the back on the WC
- right-hand version
- one-sided installation on the wall with rosettes (left)
- one-sided installation on folding support handles or wall support handles with wall plate (right)
- adjustable on site
- 650 to 750 mm wide, 230 mm deep, back rest 334 mm high and 370 mm wide, rod diameter 33 mm, rosette diameter 70 mm
- with continuous, corrosion-protected steel core
- back rest made of synthetic material in HEWI colour 90 (jet black)
- connection made of high-gloss polyamide according to HEWI colour table

Article no.: HEWI 801.51.9273R

**Dimensions**

Lieferbar ab February 1st, 2021



**Colors**

98	99	97	95	92	90	86	84	18	24	36	33	74	72	55	50
----	----	----	----	----	----	----	----	----	----	----	----	----	----	----	----

**Connection**



Backrest

Technical information subject to alteration, November 27th, 2020