

Product data sheet

Range 801 rail with sliding vertical support bar and shower head holder, corner mounted 801.35.31054

HEWI



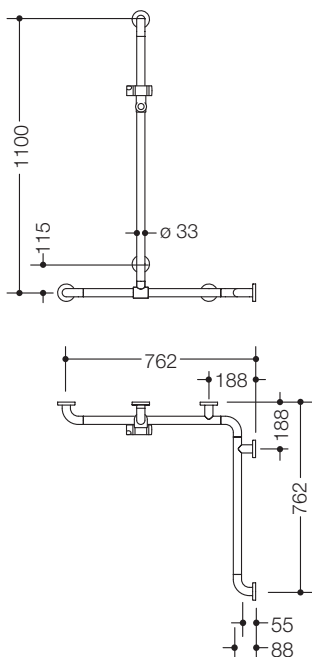
Range 801 rail with sliding vertical support bar and shower head holder, corner mounted 801.35.31054

- made of high-quality chrome-look coated polyamide that is warm to touch
- vertical and horizontal rails joined to form an L shape and fitted with rose fixings and a shower head holder
- with vertical rail with shower head holder that can be moved to the side (for installation)
- used in the shower and bathtub area to grip on to and for support
- vertical length 1100 mm, horizontal lengths (corner mounted) 762 mm respectively
- 88 mm deep, clear distance to the wall 55 mm, bar diameter 33 mm, rose diameter 70 mm
- suitable for shower heads of various manufacturers
- shower head holder made of high-quality polyamide in HEWI colour 92 (anthracite grey)
- shower head holder can be continuously tilted and, after pulling or pushing a large lever, its height can be adjusted
- conical adapter on shower head holder makes it easier to hook in the shower head
- with continuous, corrosion resistant steel core
- for wall mounting with special HEWI fixing materials and roses
- can be mounted in left-hand or right-hand position
- suitable for HEWI hanging seats 900.51....., 950.51..., 802.51... and 801.51...100 (only on W2)

Article no.: HEWI 801.35.31054



Dimensions



Surface/Color

WARM TOUCH	92
Chrome-look coated polyamide	Shower head holder

Alternative surface/color

WARM TOUCH	98
Chrome-look coated polyamide	Shower head holder

Technical information subject to alteration, January 10th, 2022

HEWI Inc.
350 Fifth Avenue, Suite 5220 Phone: (917) 734-4112
New York, NY 10118

hewi@hewi.us
www.hewi.com