

**Product data sheet**

**Range 801 rail with vertical support bar and shower head holder 801.35.21054**

**HEWI**



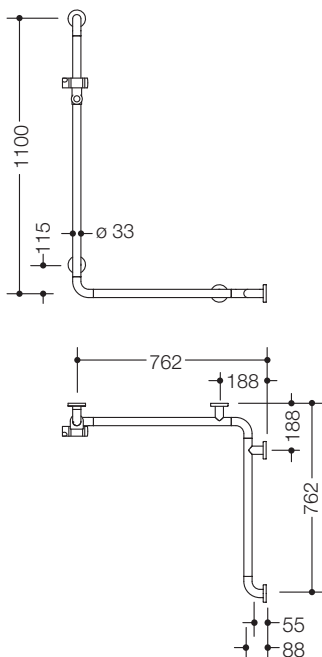
**Range 801 rail with vertical support bar and shower head holder 801.35.21054**

- made of high-quality chrome-look coated polyamide that is warm to touch
- vertical and horizontal rails joined to form an L shape and fitted with rose fixings and a shower head holder
- used in the shower and bathtub area to grip on to and for support
- vertical length of 1100 mm, horizontal lengths 762 mm
- 88 mm deep, clear distance to the wall 55 mm, bar diameter 33 mm, rose diameter 70 mm
- suitable for shower heads of various manufacturers
- shower head holder made of high-quality polyamide in HEWI colour 92 (anthracite grey)
- shower head holder can be continuously tilted and, after pulling or pushing a large lever, its height can be adjusted
- conical adapter on shower head holder makes it easier to hook in the shower head
- with continuous, corrosion resistant steel core
- for wall mounting with special HEWI fixing materials and roses
- can be mounted in left-hand or right-hand position
- suitable for all HEWI hanging seats, hanging seats 801.51...110 and 801.51...115 only on W1

Article no.: HEWI 801.35.21054



**Dimensions**



Surface/Color

<b>WARM TOUCH</b>	<b>92</b>
Chrome-look coated polyamide	Shower head holder

Alternative surface/color

<b>WARM TOUCH</b>	<b>98</b>
Chrome-look coated polyamide	Shower head holder

Technical information subject to alteration, August 18th, 2021

HEWI Inc.  
350 Fifth Avenue, Suite 5220 Phone: (917) 734-4112  
New York, NY 10118

hewi@hewi.us  
www.hewi.com