

### Apartment door fitting 170XAH03.339

in H-technology with roses according to DIN 18255 and EN 1906 made of stainless steel, consisting of:

Knob model 109X made of stainless steel and Lever handle 173X... made of stainless steel, solid (1.4301), diameter 21.3 mm, length 141.9 mm, with stepped shoulder guide and groove, with set screw M5 as additional fixing of lever and spindle for optimal transfer of force to door leaf. the lever handle meets the standards of EN 179.

Installed by simply latching the lever handle into the base parts preassembled on the door. The latching can be released using the dismantling tool.

Roses: model 305.21X... and 306.23X..., 305.21X... composite synthetic material and steel rose substructure with black zinc/nickel surface for optimum corrosion protection, integrated spring-assisted restraining "hold-up" module, can be used for left or right-hand opening doors, supporting the lock for longer durability. Fixed rotating bearing of the lever handle with automatically latching all-round locking and 5 mm journal as maintenance-free plain bearing with elastic compensating area, to cancel the possible mounting inaccuracies. Concealed, non-loosening screwed joint with M5 stainless steel screw and sleeve combination as well as the pivot disappearing into the leaf.

Rose cap round, made of stainless steel (1.4301), diameter 55 mm, 10.5 mm high, 1.5 mm wall thickness.

Surface satin finished

Designed and tested for the projects segment, user category to EN 1906 - Class 4 fitting with spindle 8 - 8.5 mm

user category: Class 4

Durability: Class 7

Door weight: No classification specified

Fire resistance: Class 0

Safety: Class 1

Corrosion resistance: Class 4

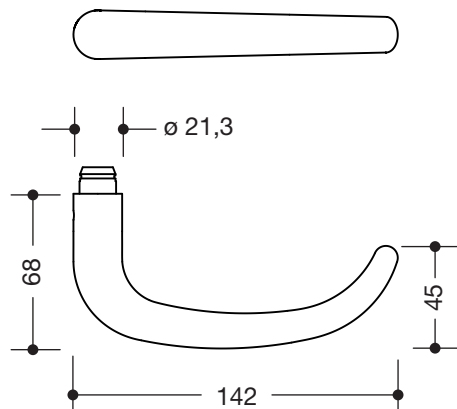
Burglary protection: Class 0

Design-type: A

Article no.: HEWI 170XAH03.339



### Dimensions



### Surface

XA|satin

Technical information subject to alteration, September 1st, 2019

HEWI Inc.  
80 Pine Street, 24th Floor  
New York, NY 10005

Phone: 646 405-1032  
Fax: 646 405-1027

hewi@hewi.us  
www.hewi.com