

Standard door fitting 162XAH01.640

in H-technology with roses according to DIN 18255 and EN 1906 made of stainless steel, consisting of:

Lever handle 166X... made of stainless steel tube in mitre cut (1.4301), diameter 21.3 mm with 1.5 mm wall thickness, with stepped shoulder guide and groove, with set screw M5 as additional fixing of lever and spindle, for optimal transfer of force to door leaf. The lever handle fulfils the guidelines of the German Federal Association of Accident Insurers ("Bundesverbandes der Unfallkassen e. V." - BUK) safety margin to closing edge 25 mm.

the lever handle meets the standards of EN 179.

Installed by simply latching the lever handle into the base parts preassembled on the door. The latching can be released using the dismantling tool.

Roses: model 315.21X... and 316X..., 315.21X... composite synthetic material and steel rose substructure with black zinc/nickel surface for optimum corrosion protection, integrated spring-assisted restraining "hold-up" module, can be used for left or right-hand opening doors, supporting the lock for longer durability. Fixed rotating bearing of the lever handle with automatically latching all-round locking and 5 mm journal as maintenance-free plain bearing with elastic compensating area, to cancel the possible mounting inaccuracies.

Rose cap oval, made of stainless steel (1.4301), 33 x 71 mm, 10.5 mm high, 1.5 mm wall thickness.

Surface satin finished

Designed and tested for the projects segment, user category to EN 1906 - Class 4 fitting with spindle 8 - 8.5 mm user category: Class 4

Durability: Class 7

Door weight: No classification specified

Fire resistance: Class 0

Safety: Class 1

Corrosion resistance: Class 4

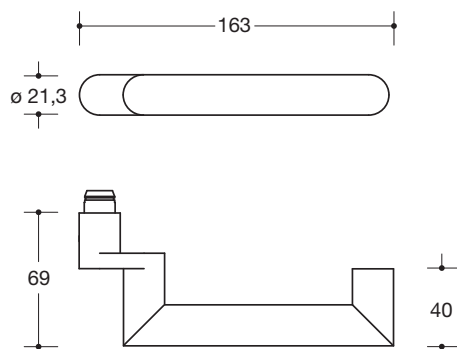
Burglary protection: Class 0

Design-type: A

Article no.: HEWI 162XAH01.640



Dimensions



Surface

XA|satin

Technical information subject to alteration, September 1st, 2019

HEWI Inc.
80 Pine Street, 24th Floor
New York, NY 10005

Phone: 646 405-1032
Fax: 646 405-1027

hewi@hewi.us
www.hewi.com