



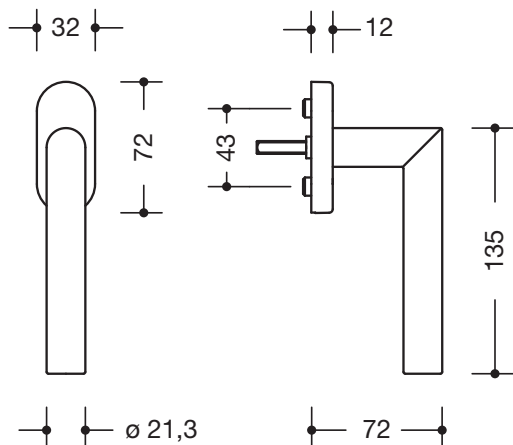
Window handle 162PCFG.2

Design 162 made of polyamide, 21.3 mm diameter, 135 mm long, with 90 degree latching points and 7 mm square spindle, length protrudes by 30 mm (other lengths and 45 degree latching on request).

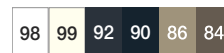
Preassembled on a oval rose 72 x 32 mm, with pivot diameter 10 mm, concealed screw fixing, screw hole spacing 43 mm, cover cap made of stainless steel (1.4301), wall thickness 1.5 mm. Supplied without fixing screws.

Article no.: HEWI 162PCFG.2

Dimensions



Colors



Polyamide

Alternative colors



Polyamide, mat

Technical information subject to alteration, March 19th, 2020