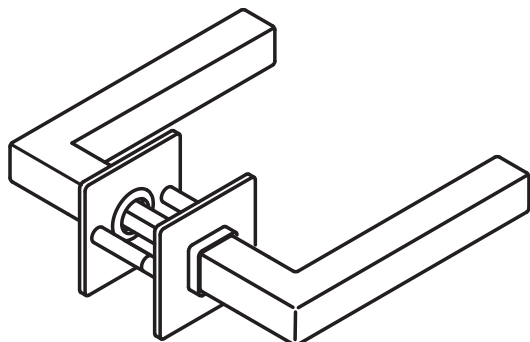


**Product data sheet**

**Lever handle female part with flat rose**  
**100XAL06.1A0**

# HEWI



**Lever handle female part with flat rose**  
**100XAL06.1A0**

Design 101X made of square stainless steel tube in mitre cut (1.4301), 20 x 20 mm, with stepped shoulder guide and groove, with set screw M5 x 8.

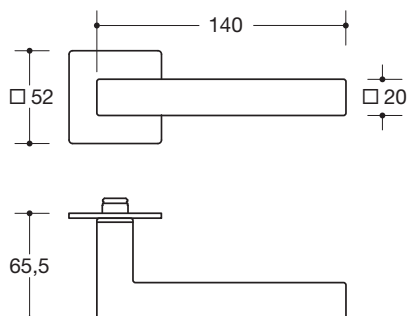
Flat roses 307.20SX..., made of stainless steel (1.4301), square, 52 x 52 mm, 3.0 mm high. Concealed, non-loosening connection: Fixed rotating bearing of the lever handle and the roses, and in the door leaf dipping support pin.

Surface satin finished. For spindle 8, 8.5 or 10/8 mm stepped.

Article no.: HEWI 100XAL06.1A0



**Dimensions**



**Surface**

XA | satin

Technical information subject to alteration, August 30th, 2019

HEWI Inc.  
80 Pine Street, 24th Floor  
New York, NY 10005

Phone: 646 405-1032  
Fax: 646 405-1027

hewi@hewi.us  
www.hewi.com