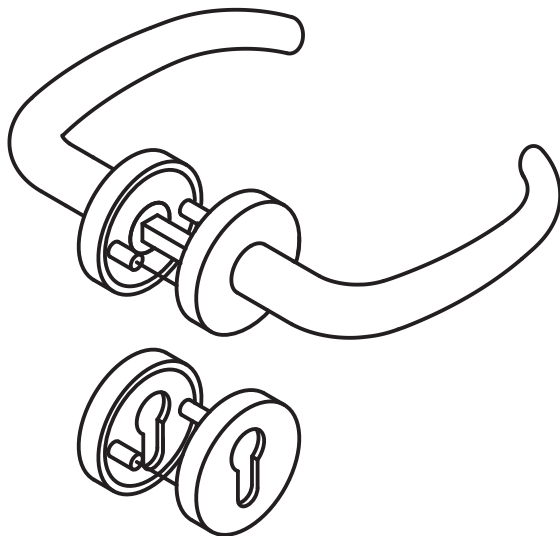


Karta produktowa

Zestaw klamek ppoż. z dzielonym trzpieniem 170XAH12.330

HEWI



Zestaw klamek ppoż. z dzielonym trzpieniem 170XAH12.330

in H-technology with roses according to DIN 18255 and EN 1906 made of stainless steel, consisting of:

Lever handle 173X... made of stainless steel (1.4301), solid, diameter 21.3 mm, length 141.9 mm, with stepped shoulder guide and groove, with set screw M5 as additional fixing of lever and spindle, for optimal transfer of force to door leaf. the lever handle meets the standards of EN 179. Installed by simply latching the lever handle into the base parts preassembled on the door. The latching can be released using the dismantling tool.

Roses: model 305.21X... and 306.23X..., 305.21X... composite synthetic material and steel rose substructure with black zinc/nickel surface for optimum corrosion protection, integrated spring-assisted restraining "hold-up" module, can be used for left or right-hand opening doors, supporting the lock for longer durability. Fixed rotating all-round locking and 5 mm journal as maintenance-free plain bearing with elastic compensating area, to cancel the possible mounting inaccuracies. Concealed, non-loosening screwed joint with M5 stainless steel screw and sleeve combination as well as the pivot disappearing into the leaf. Rose cap round, made of stainless steel (1.4301), diameter 55 mm, 10.5 mm high, 1.5 mm wall thickness.

Surface satin finished

Designed and tested for the projects segment, user category to EN 1906 - Class 4 fire door fitting with spindle 9 mm, according to DIN 18273

user category: Class 4

Durability: Class 7

Door weight: No classification specified

Fire resistance: Class B1

Safety: Class 1

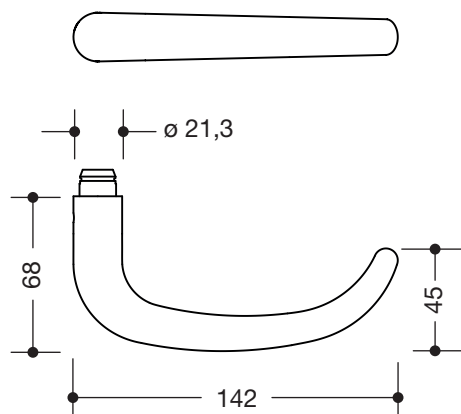
Corrosion resistance: Class 4

Burglary protection: Class 0

Design-type: A



Wymiary w mm



Powierzchnia

XA | powierzchnia szczotkowana

Zastrzega się możliwość wprowadzania zmian technicznych, 21.08.2019

HEWI Heinrich Wilke GmbH
Postfach 1260
D-34442 Bad Arolsen

Telefon: +49 5691 82-366
Telefax: +49 5691 82-99366
international@hewi.com
www.hewi.com

HEWI Heinrich Wilke GmbH
Sp. z o.o. Oddział w Polsce
Ul. Lelka 26
02-812 Warszawa

tel. +48 22 330 00 51
fax +48 22 330 00 50
info@hewi.pl
www.hewi.com