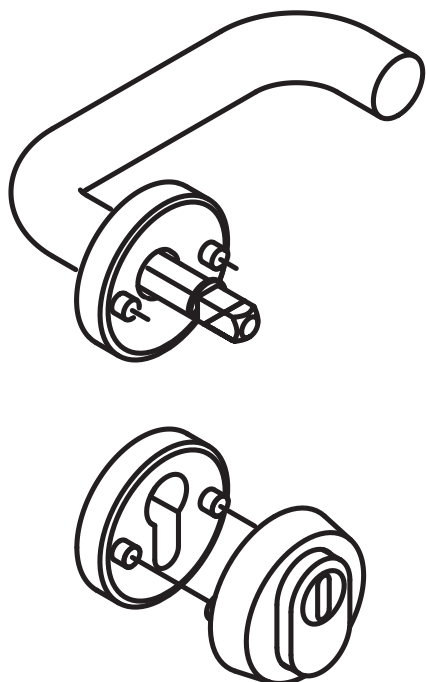


Karta produktowa

Półzestaw z rozetą antywłam. i osłoną wkładki bębnekowej 111XAH23.130

HEWI



Półzestaw z rozetą antywłam. i osłoną wkładki bębnekowej 111XAH23.130

in H-technology with roses according to DIN 18255 and EN 1906 made of stainless steel, consisting of:

Lever handle 111X made of stainless steel tube (1.4301), diameter 21.3 mm with 1.5 mm wall thickness, with stepped shoulder guide and groove, with set screw M5 as additional fixing of lever and spindle, for optimal transfer of force to door leaf.

The lever handle meets the standards of EN 179 and DIN 18040. Installed by simply latching the lever handle into the base parts preassembled on the door. The latching can be released using the dismantling tool.

Rose 305...XAH, composite synthetic material and steel rose substructure with black zinc/nickel surface for optimum corrosion protection, integrated spring-assisted restraining "hold-up" module, can be used for left or right-hand opening doors, supporting the lock for longer durability. Fixed rotating bearing of the lever handle with automatically latching all-round locking and 5 mm journal as maintenance-free plain bearing with elastic compensating area, to cancel the possible mounting inaccuracies. Concealed, single-sided assembly by pivot disappearing into the door leaf.

Rose cap round, made of stainless steel (1.4301), diameter 55 mm, 10.5 mm high, 1.5 mm wall thickness.

Security escutcheon 306.23XAESZ made of stainless steel with cylinder cover, external escutcheon, solid, diameter 55 mm, 14 mm, hardened, with cylinder cover, conical design, as protection against violent twisting, Interior rose FS version in polyamide composite steel, diameter 55 mm, 10.5 mm high, concealed, for paired mounting, delivery with screws M 5, holes for profile cylinder (PZ and KABA), cylinder projections: 10.5 -15 mm Surface satin finished

Designed and tested for the projects segment, user category to EN 1906 - Class 4 fire door fitting with spindle 9 mm, according to DIN 18273

user category: Class 4

Durability: Class 7

Door weight: No classification specified

Fire resistance: Class B1

Safety: Class 1

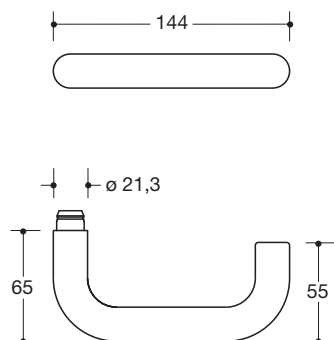
Corrosion resistance: Class 4

Burglary protection: Class 1

Design-type: A



Wymiary w mm



Powierzchnia

XA | powierzchnia szczotkowana

Zastrzega się możliwość wprowadzania zmian technicznych, 21.08.2019

HEWI Heinrich Wilke GmbH
Postfach 1260
D-34442 Bad Arolsen

Telefon: +49 5691 82-366
Telefax: +49 5691 82-99366
international@hewi.com
www.hewi.com

HEWI Heinrich Wilke GmbH
Sp. z o.o. Oddział w Polsce
Ul. Lelka 26
02-812 Warszawa

tel. +48 22 330 00 51
fax +48 22 330 00 50
info@hewi.pl
www.hewi.com