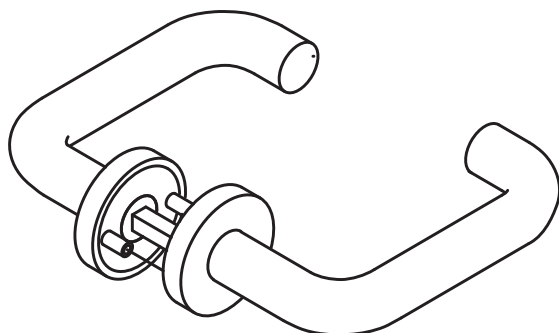


Karta produktowa
Klamka do zamków w drzwiach szklanych
111PBG01.130

HEWI



Klamka do zamków w drzwiach szklanych
111PBG01.130

in R-technology with roses according to DIN 18255 and EN 1906 made of solid coloured high-quality matt polyamide, consisting of:

Lever handle 111PBR U-shaped made of matt polyamide with corrosion resistant steel insert, solid colour, diameter 20 mm, with stepped shoulder guide and groove, easily installed by latching the lever handle into the base parts pre-mounted on the door. The latching can be released using the dismantling tool. Fits Dorma Junior Office and Schlechtendahl Atelier F / R and Studio - Private Line. The locks are prepared for rose fixing.

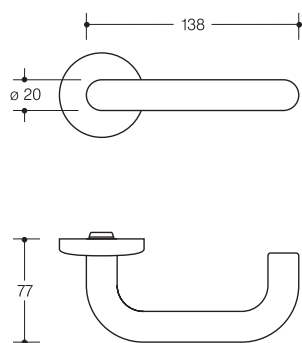
The lever handle meets the standards of EN 179 and DIN 18040.

Roses: model 305.20PBR, substructure made of synthetic material-stainless steel composite, can be used for left and right-hand opening doors. Fixed rotating bearing of the lever handle with automatically latching all-round locking and 5 mm journal as maintenance-free plain bearing with elastic compensating area and second journal in the neck of the lever handle. Concealed, non-loosening screwed joint with M4 screw and sleeve combination as well as the pivot disappearing into the lock.

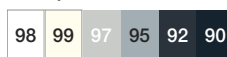
Rose cap, round, made of high-quality matt polyamide, solid colour, diameter 55 mm, 10 mm high, 1.5 mm wall thickness.



Wymiary w mm

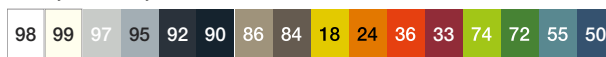


Kolory



Poliamid, matowa

Kolory alternatywne



Poliamid

Zastrzega się możliwość wprowadzania zmian technicznych, 21.08.2019

HEWI Heinrich Wilke GmbH
Postfach 1260
D-34442 Bad Arolsen

Telefon: +49 5691 82-366
Telefax: +49 5691 82-99366
international@hewi.com
www.hewi.com

HEWI Heinrich Wilke GmbH
Sp. z o.o. Oddział w Polsce
Ul. Lelka 26
02-812 Warszawa

tel. +48 22 330 00 51
fax +48 22 330 00 50
info@hewi.pl
www.hewi.com