

Hinged Support Rail

Mounting Plate  
NECESSARY


Cover  
To cover mounted wall plates  
OPTIONAL

Mounting plate with  
cover  
SETPRICE

Fixing Material  
NECESSARY

Accessories  
OPTIONAL

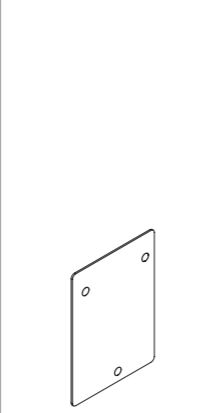
**Polyamide** CE



950.50.11190 | 600 mm 950.50.12190 | 700 mm  
950.50.13190 | 850 mm

950.50.11191 | 600 mm 950.50.12191 | 700 mm  
950.50.11199 | 600 mm 950.50.12199 | 700 mm  
950.50.13191 | 850 mm 950.50.13199 | 850 mm

**Mounting Plate** CE



950.50.014

**Cover**



950.50.01590

- made of high quality polyamide in HEWI colours  
98 (signal white)  
99 (pure white)

**Mounting plate with cover** CE



950.50.10090

**BM17.3M**  
For fixing to walls made of concrete (>C20/C25)  
General constructional license number : ETA-11/0493

To be provided additionally:  
Injection mortar (HEWI order No.: 200311)


or to be provided on site:  
Hilti HIT-HY200A injection mortar

**Protection and storage bag**



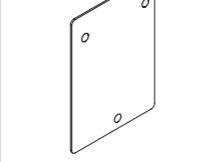
950.50.013

**WARM TOUCH** CE




950.50.11150 | 600 mm 950.50.12150 | 700 mm  
950.50.13150 | 850 mm

**Mounting Plate** CE



950.50.014

**Cover**



950.50.01540

- Frontplate made of stainless steel, mirror polished
- cover frame made of high quality polyamide in HEWI colour 98 (signal white)

**Mounting plate with cover** CE




950.50.10040

To be provided additionally:  
Injection mortar (HEWI order No.: 200266)  
Conical drill bit (HEWI order No.: 171041)

or to be provided on site:  
Hilti HIT-HY 270 injection mortar  
Hilti TE-C PB 22/100 conical drill bit

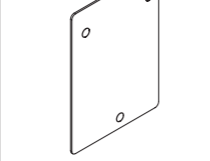
**OPTIONAL**

**Chrome** CE




950.50.61140 | 600 mm 950.50.62140 | 700 mm  
950.50.63140 | 850 mm

**Mounting Plate** CE



950.50.014

**Cover**



950.50.01540

- Frontplate made of stainless steel, mirror polished
- cover frame made of high quality polyamide in HEWI colour 98 (signal white)

**Mounting plate with cover** CE




950.50.10040

**BM12.3M**  
For installation on lightweight walls you will need a rear lining, e.g. laminated timber boards, with waterproof bonding. 30 mm thickness required, for example, Support stand or wall installation

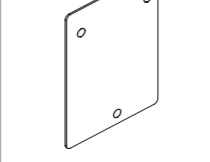
**OPTIONAL**

**Stainless Steel** CE




950.50.611XA | 600 mm 950.50.621XA | 700 mm  
950.50.631XA | 850 mm

**Mounting Plate** CE



950.50.014

**Cover**



950.50.015XA

- Frontplate made of stainless steel, satin finish
- cover frame made of high quality polyamide in HEWI colours  
90 (jet black)  
92 (anthracite grey)  
98 (signal white)  
99 (pure white)

**Mounting plate with cover** CE



950.50.100XA

**BM18.3M**  
For fixing on walls with mesh sleeve, ø 18 mm hollow concrete block

- vertically perforated bricks
- hollow lightweight concrete block
- lightweight aggregate concrete with open structure

National technical approval number: ETA-13/1036

Without mesh sleeve

- solid bricks
- perforated calcium silicate block

National technical approval number: ETA-13/1036

To be provided additionally:  
Injection mortar (HEWI order No.: 200266)  
or to be provided on site:  
Hilti HIT-HY 270 injection mortar

**OPTIONAL**