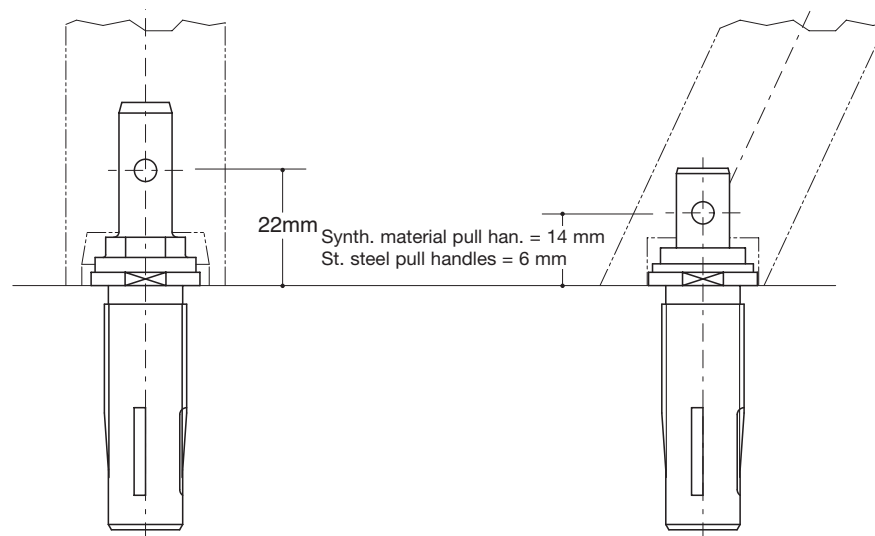


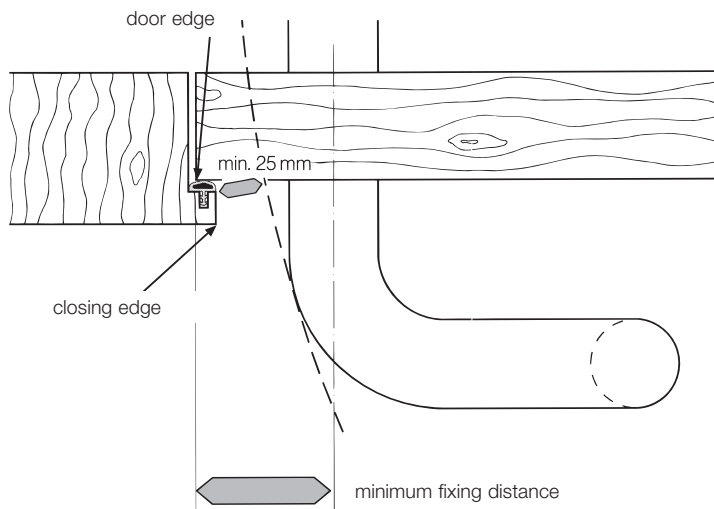
Information on:

Pull handles with inclined supports, examples BA5.1 (standard) to BA5.1R (inclined supports).



Attention:

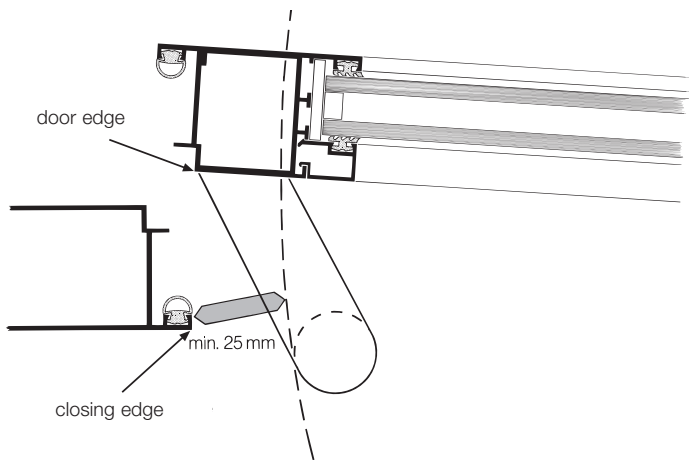
There is considerably less space available in the mounting area for handles with inclined supports. Consequently the pin hole for handles with inclined supports is 14 mm, compared to the pin hole for handles with standard supports which is 22 mm. Therefore a shorter special screw is required. This characteristic is identified in the item numbering by the letter „R“ and this additional letter must be quoted when orders are placed, e.g. BA5.1R.



Safety margin between door handle and closing edge according to DGUV (Deutsche Gesetzliche Unfallversicherung)

In order to avoid injuries to hands when closing or opening doors, a minimum safety margin of 25 mm between the handle (at gripping height) and closing edge (on the door frame) is necessary (BUK guidelines). The minimum distance between the closing edge and the handle hole stipulated for each handle guarantees observance of the safety margin accident prevention regulations for schools GUV – V S 1 as well as regulations for kindergarten – construction and equipment GUV – SR 2002 and DGUV 102-002.

→ see table next page and product specifications

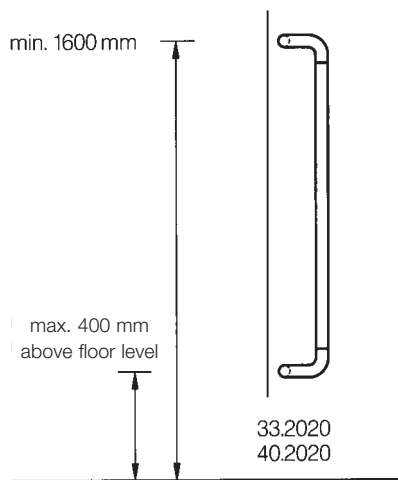


Particularly suitable for framed doors

A selection of HEWI handles also offers the safety margin of 25 mm to the closing edge even if they are fixed flush or close to the door / closing edge. These handles are particularly recommended for use in public buildings.

Offers the safety margin of 25 mm to the closing edge according to the safety margin accident prevention regulations for schools GUV – V S 1 as well as regulations for kindergarten – construction and equipment GUV – SR 2002 and DGUV 102-002.

→ see table next page and product specifications



Reduced minimum fixing distance

If the mounting points for the handle designs illustrated are located outside the usual gripping heights, the minimum fixing distances stipulated can then be further reduced.

→ see table next page and product specifications

Centre to centre min. fixing distances for pull handles



| Minimum fixing distance (closing edge - handle drill hole) | Standard (mm) | with BA 5.0... (mm) |
|--|--|---------------------|
| 130.550.1 | 36 | 20 |
| 33.2010 | 49 | 20 |
| 33.2020 | 44 | 20 |
| 33.2023 | 44 | |
| 33.2070 | 49 | 20 |
| 33.2070S | Mounting of handle flush to door/closing edge possible (24 mm) | |
| 40.2010, 40.2010R | 55 | 24 |
| 40.2020 | 48 | 22 |
| 40.2023 | 48 | |
| 550.300GKWL | 43 | 20 |
| 550.33GKLT | 44 | 20 |
| 550.33GKRLT | 36 | 20 |
| 550.33GKWL | 44 | 20 |
| 550.33KSLT | 54 | 22 |
| 550.33LT | 49 | 20 |
| 550.40GKLT | 47 | 22 |
| 550.40KSLT | 54 | 20 |
| 550GKLT, 550.250GKLT | 44 | 20 |
| 550KRLT | 63 | 31 |
| 550LT, 550.250LT | 48 | 20 |
| Polyamide | | |
| 100XA.30...G1, ...G6 | 47 | |
| 100XA.30...G7 | Mounting of handle flush to door/closing edge possible (15 mm) | |
| 111XA.25...G1 | 43 | |
| 111XA.25...G2, ...G3, ...G4 | 36 | |
| 111XA.30...G1 | 46 | |
| 111XA.30...G3, ...G4 | 39 | |
| 160XA.25...G1 | 43 | |
| 160XA.25...G4, ...G6 | 39 | |
| 160XA.30...G1 | 46 | |
| 160XA.30...G4, ...G6 | 46 | |
| 160XA.30...G7 | Mounting of handle flush to door/closing edge possible (22 mm) | |
| 180XO.3030G6 | 45 | |
| 180XO.3030G7 | Mounting of handle flush to door/closing edge possible (15 mm) | |
| Stainless steel | | |