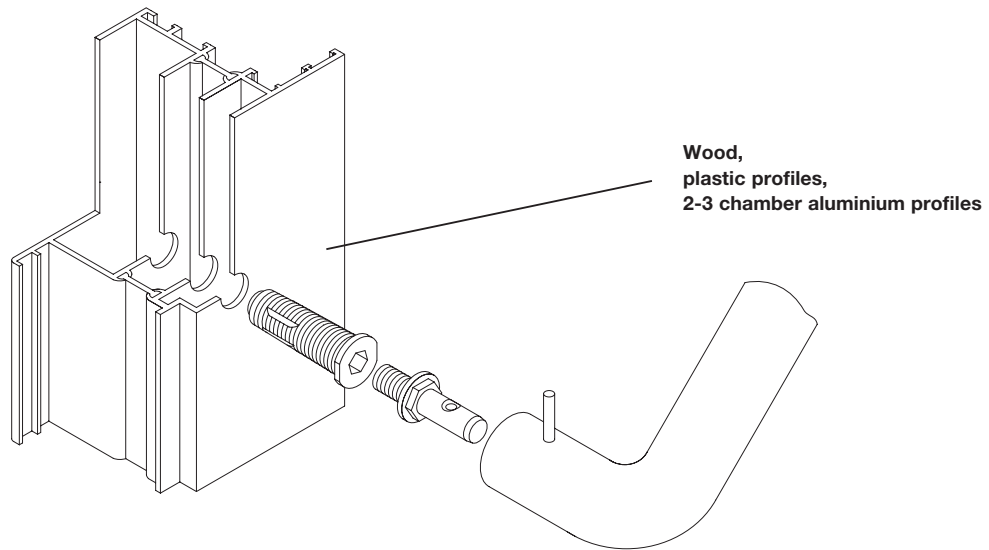
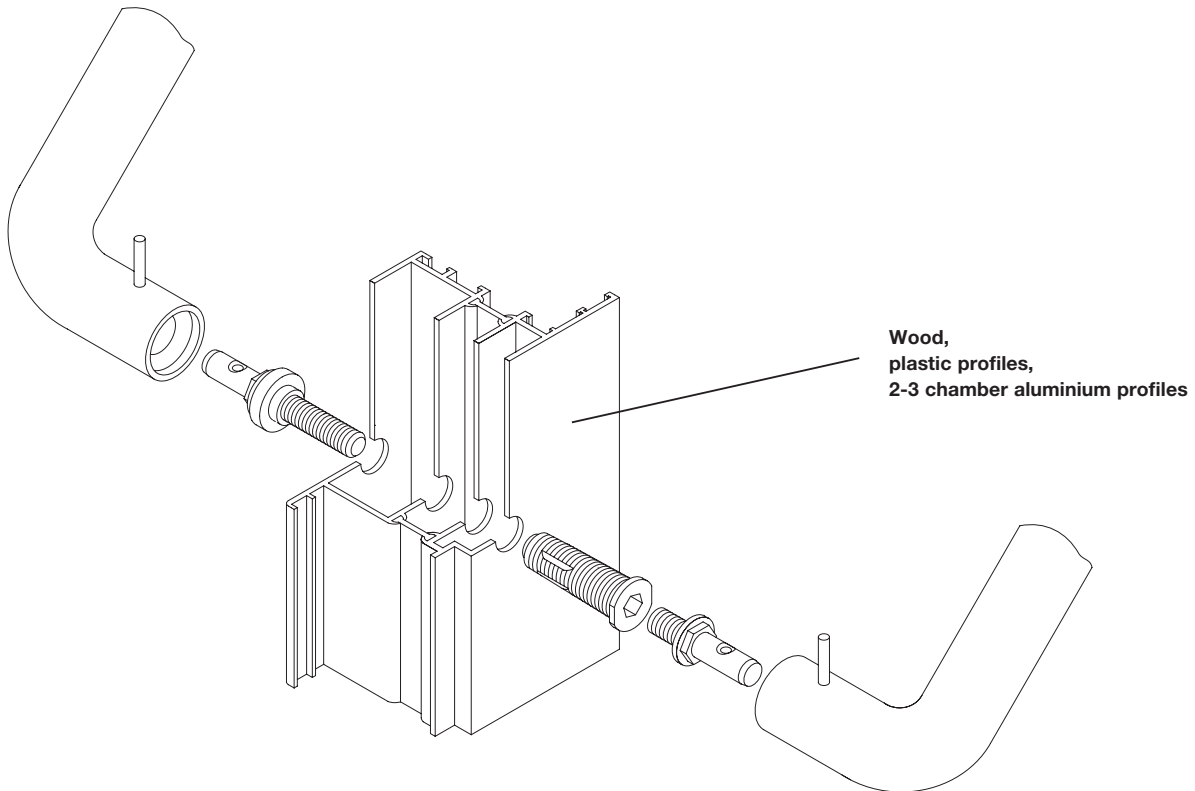


One-sided installation



Installation per pair



**Technical information for:
pull handles and fixing concepts**

The system is equally suitable for wooden doors, plastic profiles, steel profiles and aluminium profiles, too. The heart of the new fixing system is the BA5.1 fixing sleeve.

Advantages

- one fixing system for 3 materials (wood, plastic, metal)
- storage space is reduced due to the use of only a few components
- easy and fast installation
- only perforated handle elements
- modular system
- high durability (alternating load of 100 kg for wood and aluminium, or of 50 kg for plastic)
- no deformation (denting) of the profiles
- customised packaging: packaging unit one, two or ten pieces etc.

The heart of the fixing system

Heart of the BA5.1 fixing system is the fixing sleeve of surface-hardened steel, which, by means of its special thread, can be fitted with a lasting and secure grip to wood, plastic, steel and aluminium profiles. It covers 90% of all potential applications.

Fixing sleeve



Allocation of fixing systems to pull handles

	Fixing type	Indication of					for Polyamide Pull handles	for Stainless steel Pull handles
		Pull handles with straight supports	Pull handles with inclined supports	Colour/surface finish required	Door thickness required	Drill hole		
one-sided	BA5.1, BA5.1G	X				14	X	X
	BA5.1R, BA5.1GR		X			14	X	
	BA5.2	X				14	X	X
	BA5.2R		X			14	X	
	BA5.3L...	X				14	X	X
	BA5.3L...R		X			14	X	
	BA5.0	X		X		14	X	
	BA5.7.1, BA5.7.2, BA5.7.3L...	X				12		100X..G6/180X..G6
	BA5.7.1R, BA5.7.2R, BA5.7.3L...R		X			12		X
	BA6.3...					8/M8	X	X
	BA6.3...R		X			8/M8	X	
	BA6.7	X				14	X	X
	BA6.7R		X			14	X	
	BA9.1...	X				14	X	X
	BA4.08.12 (glass)	X				18	X	
	BA4.08.12X.. (glass)	X				14		X
	BA4...	X		X	X	12	X	X
	BA4...R		X	X	X	12	X	
	BA1...	X		X			X	
	per pair	BA5.1...	X			X	14	X
BA5.1...R			X		X	14	X	
BA5.2...		X			X	14	X	X
BA5.2...R			X		X	14	X	
BA5.0...		X		X	X	14	X	
BA5.7...		X				12		100X..G6/180X..G6
BA5.7...R			X			12		X
BA8.08.12 (glass)		X				18	X	
BA8.08.12X.. (glass)		X				14		X
BA8...		X			X	12	X	X
BA2...		X		X			X	

→ Mounting instructions/framed doors from page 256

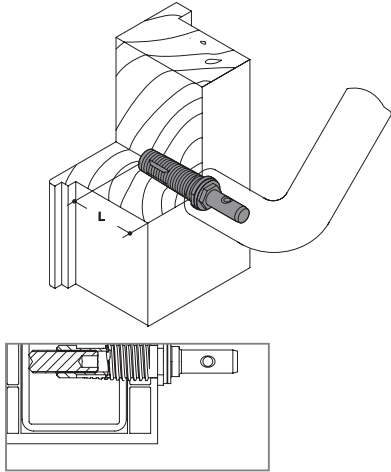
Category	+	Type of door	+	Position	=	Fixing type	Page	
one-sided		wood or synthetic material or 2-3 chamber aluminium profile fire protection profiles*		outside the lock area		BA5.1, BA5.1G BA5.2 BA5.0 BA5.7...	250 250 251 250	
				inside the lock area		BA5.3L... BA9.1...	250 251	
			wood or synthetic material or 1-3 chamber aluminium profile		outside the lock area and also through the lock		BA4...	252
			1 chamber steel profile or 1 chamber aluminium profile		outside the lock area and also through the lock		BA6.3... BA6.7	251 251
			glass				BA4.08.12 BA4.08.12X	252 252
					rose fixing on door		BA1...	255
per pair		wood or synthetic material or 2-3 chamber aluminium profile fire protection profiles*		outside the lock area		BA5.1... BA5.2... BA5.0... BA5.7...	253 253 253 253	
				outside the lock area and also through the lock		BA8...	254	
			1 chamber steel profile or 1 chamber aluminium profile		outside the lock area and also through the lock		BA8...	254
			glass				BA8.08.12 BA8.08.12X	254 254
					rose fixing outside the lock area		BA2...	255

Pull Handles

* Fire protection profiles made of steel, stainless steel or aluminium. Please note the valid fire protective regulations according to GBPopean and German Standard/Regulation. Hotline +49 5691 82-300 or international@hewi.com

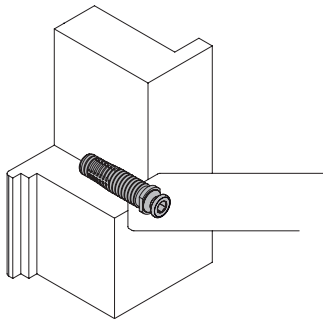
→ HEWI renovation solution for stainless steel handles **page 254**

Item Number GBP PG Specification



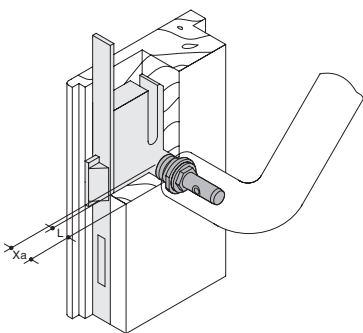
			HEWI Fixing type 5.1.../5.2...
			· for securing handles on one side to solid wood, synthetic material and 2 to 3-chamber aluminium sections, fire protection profiles made of steel, stainless steel or aluminium
			· drill hole in door \varnothing 14 mm
BA5.1	11,70	68	· dimension L = 46 mm, door thickness > 50 mm
BA5.1R	11,70	68	· do., for pull handle 33.2070S
BA5.1G	15,50	68	· do., with grub screw for additional anchoring in metal reinforcement of the synthetic material profile (see detail)
BA5.1GR	15,50	68	· do., for pull handle 33.2070S
BA5.2	11,70	68	· dimension L = 32,5 mm, door thickness 40-50 mm
BA5.2R	11,70	68	· do., for pull handle 33.2070S

Tools required
 · open jawed spanners SW13 / SW19
 · hexagonal spanner SW10 / SW6 (at ...R)



			HEWI Fixing type 5.7...
			· for securing handles on one side to solid wood, synthetic material and 2 to 3-chamber aluminium sections, fire protection profiles made of steel, stainless steel or aluminium
			· drill hole in door \varnothing 12 mm
BA5.7.1	11,70	68	· dimension L = 46, door thickness > 50 mm, for 100X...G6, 180X...G6
BA5.7.1R	11,70	68	· do., for 100X...G7, 160X...G7 and 160XA30K7.A, 180X...G7
BA5.7.2	11,70	68	· dimension L = 32,5, door th. 40 - 50 mm, for 100X...G6, 180X...G6
BA5.7.2R	11,70	68	· do., for 100X...G7, 160X...G7 and 160XA30K7.A, 180X...G7

Tools required
 · open jawed spanners SW13
 · hexagonal spanner SW6 / SW8



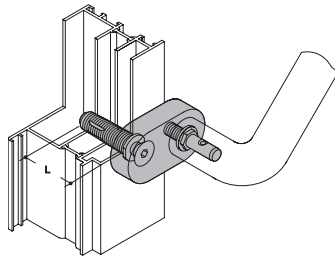
			HEWI Fixing type 5.3L... / 5.7.3L...
			· for securing handles on one side to solid wood, synthetic material and 2 to 3-chamber aluminium sections, fire protection profiles made of steel, stainless steel or aluminium inside the lock area
			· drill hole in door \varnothing 14 mm
BA5.3L16	11,70	68	· dimension L = 16 mm, dim. Xa min. 18 mm, drill hole in door \varnothing 14 mm
to			
BA5.3L31	11,70	68	· dimension L = 31 mm, dim. Xa min. 33 mm, drill hole in door \varnothing 14 mm
BA5.3L...R	11,70	68	· do., for pull handle 33.2070S
BA5.7.3L16	11,70	68	· dimension L = 16 mm, dim. Xa min. 18 mm, drill hole in door \varnothing 12 mm
to			
BA5.7.3L31	11,70	68	· dimension L = 31 mm, dim. Xa min. 33 mm, drill hole in door \varnothing 12 mm
BA5.7.3L...R	11,70	68	· for pull handles 100X...G6, 180X...G6 · do., for pull handles 100X...G7, 160X...G7, 160XA30K7.A, 180X...G7

Tools required
 · open jawed spanners SW13
 · hexagonal spanner SW6 / SW8

Mounting instructions
 Length measurement: dimension Xa - 2 mm = dimension L.
 As the mounting sleeve does not have any cutting edges, the securing drill hole with sleeve 5.1 / 5.2 respect. 5.7.1 / 5.7.2 must be rough-cut.
 The second securing point should feature BA5.1 / BA5.2 respect. BA5.7.1 / BA5.7.2 for stability reasons.

← Explanation on dimension Xa **page 179**
 → One-sided rose fixing **page 255**

Item Number GBP PG Specification



BA5.0* **26,50** **68**

HEWI Fixing type 5.0

- for securing handles on one side to solid wood, plastic and 2 to 3-chamber aluminium sections, fire protection profiles made of steel, stainless steel or aluminium
- drill hole in door \varnothing 14 mm

- dimension L = 46 mm, door thickness > 50 mm

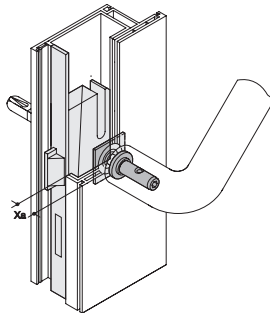
Please advise colour when ordering.*

Rose fixing: height of handle + 18 mm

A safety distance of 25 mm to the closing edge is ensured according to accident prevention regulations for schools GUV – VS 1 and guidelines for kindergartens – construction and equipment GUV – SR 2002

Tools required

- hexagonal spanner SW6 and SW10, open jawed spanners SW19



BA9.1.15.20 **11,70** **68**
BA9.1.18.23 **11,70** **68**

HEWI Fixing type 9.1...

- for securing handles on one side to solid wood, synthetic material and 2 to 3-chamber aluminium sections, fire protection profiles made of steel, stainless steel or aluminium
- drill hole in door \varnothing 14 mm

- dimension Xa 15-20 mm

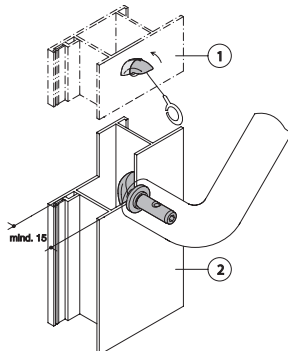
- dimension Xa 18-23 mm

Tools required

- hexagonal spanner SW6

Mounting instructions

The lock case needs to be removed in order to insert the mounting sleeve. The second securing point should feature BA5.1 or BA5.2 for stability reasons.



BA6.7 **11,70** **68**

BA6.7R **11,70** **68**

HEWI Fixing type 6.7

- for one-sided fixing on profile doors
- drill hole in door \varnothing 14 mm

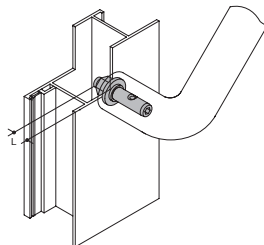
- do., for **pull handle 33.2070S**

Tools required

- hexagonal spanner SW6

Mounting instructions

min. 15 mm clearance must be maintained between the first and second wall when mounting the push-in nut.



BA6.3.25 **8,90** **68**
BA6.3.35 **8,90** **68**
BA6.3.60 **8,90** **68**
BA6.3...R **8,90** **68**

HEWI Fixing type 6.3...

- for one-sided fixing on metal or profile doors
- supplied without blind rivet nut or hexagon nut M8

dimension L

25 mm

35 mm

60 mm

- do., for **pull handle 33.2070S**

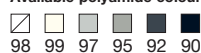
Tools required

- hexagonal spanner SW6

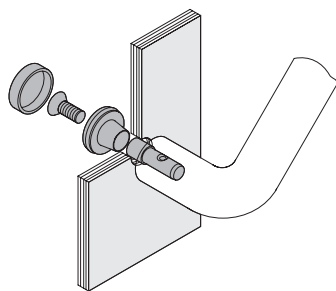
Mounting instructions

Using on metal: thread in door = M8 x length of screw. Using on sections with blind rivet nut: drill hole in door = depending on the exterior dimension of the nut, rivet flush. Using on sections with hexagon nut: drill hole in door = \varnothing 8 mm.

* Available polyamide colours



Item Number GBP PG Specification

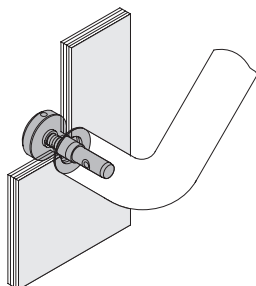


BA4.08.12* 11,70 68 **HEWI Fixing type 4.08.12 for pull handles made of polyamide**
 · for rear-mounting of handle to glass using a blind rose fitting ø 33 mm
 · drill hole in door ø 18 mm

Please advise colour when ordering.*

Tools required

· hexagonal spanner SW5



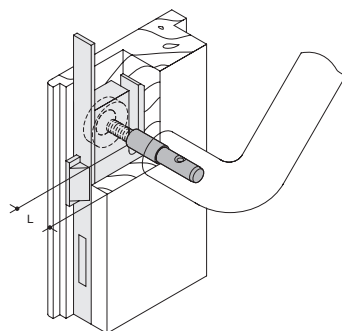
BA4.08.12XA** 11,70 68 **HEWI Fixing type 4.08.12XA for p. handles made of stainless steel**
 for rear-mounting of handle to glass using a blind rose fitting
 · drill hole in door ø 14 mm

BA4.08.12XAR** 11,70 68 · do., only for **pull handles 100X...G7, 160X...G7, 160XA30K7.A, 180X...G7**

Tools required

· step drill

Please indicate diameter** when ordering.



HEWI Fixing type 4... for pull handles made of polyamide
 · for rear-mounting of handle to solid wood, plastic and
 · 1 to 3-chamber aluminum sections using a blind rose fitting
 · drill hole in door ø 12 mm, dimension L = insert depth

dimension L	door thickness
BA4.12.20*	6 mm 12-20 mm
BA4.20.30*	6 mm 20-30 mm
BA4.30.40*	6 mm 30-40 mm
BA4.40.50*	6 mm 40-50 mm
BA4.50.60*	16 mm 50-60 mm
BA4.60.70*	16 mm 60-70 mm
BA4.70.80*	16 mm 70-80 mm
BA4.80.90*	16 mm 80-90 mm
BA4...R*	· do., for pull handle 33.2070S

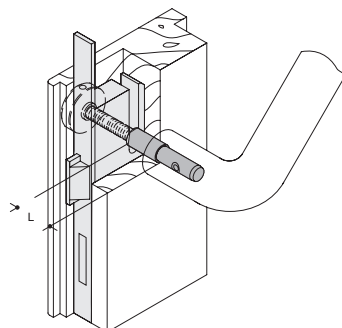
Please advise colour when ordering.*

Tools required

· hexagonal spanner SW5

Mounting instructions

can also be used for securing using mortice locks.



HEWI Fixing type 4...XA for p. handles made of stainless steel
 · for rear-mounting of handle to solid wood, synthetic material and
 · 2 to 3-chamber aluminium sections using a blind rose fitting
 · drill hole in door ø 12 mm, dimension L = insert depth

dimension L	door thickness
BA4.12.20XA**	6 mm 12-20 mm
BA4.20.30XA**	6 mm 20-30 mm
BA4.30.40XA**	6 mm 30-40 mm
BA4.40.50XA**	6 mm 40-50 mm
BA4.50.60XA**	16 mm 50-60 mm
BA4.60.70XA**	16 mm 60-70 mm
BA4.70.80XA**	16 mm 70-80 mm
BA4.80.90XA**	16 mm 80-90 mm

BA4...XAR** 11,70 68 · do., for door thickness 12 - 80 mm available
 · only for **pull handles 100X...G7, 160X...G7, 160XA30K7.A, 180X...G7**

Tools required

· step drill

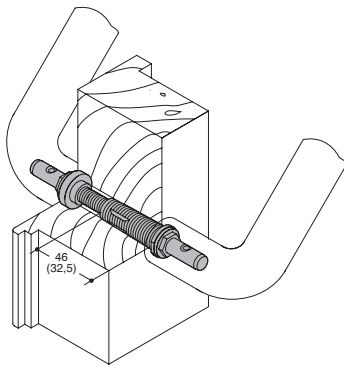
Mounting instructions

can also be used for securing using mortice locks.

Please indicate diameter** when ordering.

** ...2 = ø 25 mm
 ...3 = ø 30 mm

Item Number GBP PG Specification



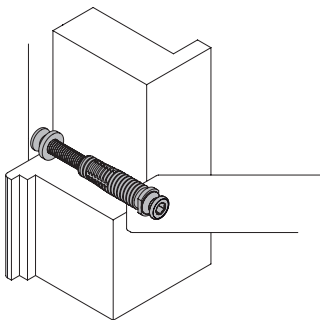
BA5.2.38.43	15,90	68	door thickness 38-43 mm
BA5.2.43.48	15,90	68	door thickness 43-48 mm
BA5.2.48.55	15,90	68	door thickness 48-55 mm
BA5.2...R	15,90	68	· do., for pull handle 33.2070S
BA5.1.55.70	15,90	68	door thickness 55-70 mm
BA5.1.70.85	15,90	68	door thickness 70-85 mm
BA5.1...R	15,90	68	· do., for pull handle 33.2070S

HEWI Fixing type 5.1.../5.2...

· for double-sided fixing to solid wood, synthetic material and 2 to 3 chamber aluminium sections, fire protection profiles made of steel, stainless steel or aluminium, drill hole in door ø 14 mm

Tools required

· open jawed spanners SW13 / SW19
· hexagonal spanner SW10 and SW6 (at ...R)



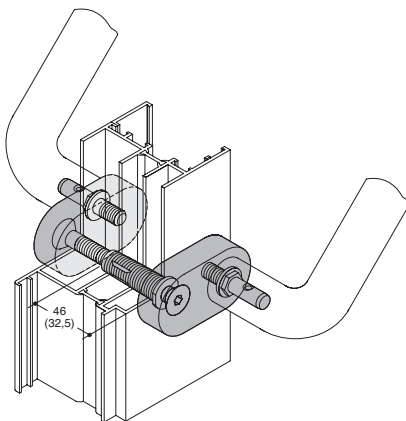
BA5.7.38.43	15,90	68	door thickness 38 - 43 mm, only f. pull handles 100X...G6, 180X...G6
BA5.7.43.48	15,90	68	door thickness 43 - 48 mm, only f. pull handles 100X...G6, 180X...G6
BA5.7.48.55	15,90	68	door thickness 48 - 55 mm, only f. pull handles 100X...G6, 180X...G6
BA5.7.55.70	15,90	68	door thickness 55 - 70 mm, only f. pull handles 100X...G6, 180X...G6
BA5.7.70.85	15,90	68	door thickness 70 - 85 mm, only f. pull handles 100X...G6, 180X...G6
BA5.7...R	15,90	68	· do., for door thickness 8 - 85 mm available · only f. pull handles 100X...G7, 160X...G7, 160XA30K7.A, 180X...G7

HEWI Fixing type 5.7...

· for double-sided fixing to solid wood, synthetic material and 2 to 3 chamber aluminium sections, fire protection profiles made of steel, stainless steel or aluminium, drill hole in door ø 12 mm

Tools required

· open jawed spanners SW13 and hexagonal spanner SW6 / SW8



BA5.0.35.40*	48,10	68	door thickness 35-40 mm
BA5.0.40.45*	48,10	68	door thickness 40-45 mm
BA5.0.45.50*	48,10	68	door thickness 45-50 mm
BA5.0.50.55*	48,10	68	door thickness 50-55 mm
BA5.0.55.70*	48,10	68	door thickness 55-70 mm
BA5.0.70.85*	48,10	68	door thickness 70-85 mm

HEWI Fixing type 5.0...

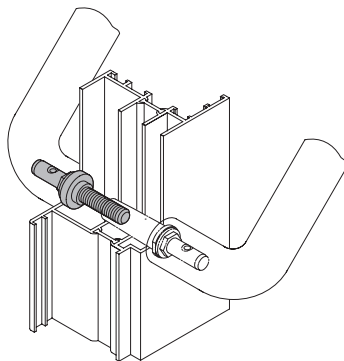
· for double-sided fixing to solid wood, synthetic material and 2 to 3 chamber aluminium sections, fire protection profiles made of steel, stainless steel or aluminium, drill hole in door ø 14 mm

Please advise colour when ordering.*
Rose fixing: height of handle + 18 mm

A safety distance of 25 mm to the closing edge is ensured according to accident prevention regulations for schools GUV – VS 1 and guidelines for kindergartens – construction and equipment GUV – SR 2002

Tools required

· open jawed spanners SW19 and hexagonal spanner SW6 / SW10



BA55.70	4,90	68	door thickness 55-70 mm
BA55.70R	4,90	68	· do., for pull handle 33.2070S
BA70.85	4,90	68	door thickness 70-85 mm
BA70.85R	4,90	68	· do., for pull handle 33.2070S

HEWI Upgrade set

· for BA5.1/BA5.1R conversion
· for double-sided fixing to solid wood, synthetic material and 2 to 3 chamber aluminium sections, fire protection profiles made of steel, stainless steel or aluminium, drill hole in door ø 14 mm

Mounting instructions

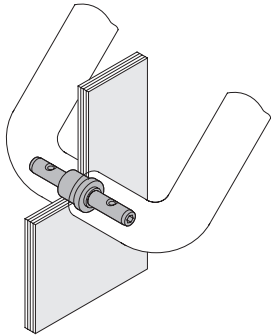
· open jawed spanners SW13 and hexagonal spanner SW6 (at ...R)

* Available polyamide colours

☐	☐	☐	☐	☐	☐
98	99	97	95	92	90

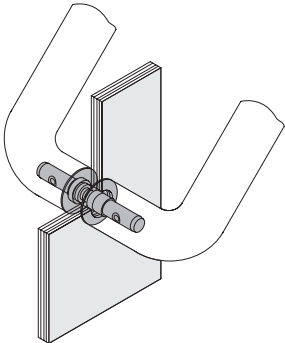
Pull Handles | Fixing Types | Per Pair

Item Number GBP PG Specification



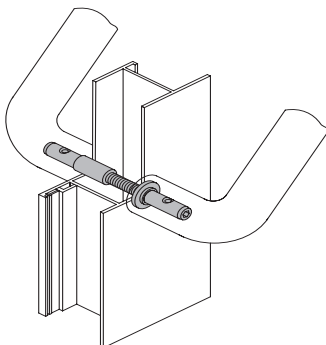
BA8.08.12 15,90 68 **HEWI Fixing type 8.08.12 for pull handles made of polyamide**
 · for double-sided fixing to glass
 · drill hole in door \varnothing 18 mm
 · door thickness 8-12 mm

Tools required
 · hexagonal spanner SW6



BA8.08.12X 15,90 68 **HEWI Fixing type 8.08.12X for p. handles made of stainless steel**
 · for double-sided fixing to glass
 · drill hole in door \varnothing 14 mm
 · door thickness 8-12 mm
 · incl. plain washers \varnothing 25 and \varnothing 30 mm for protection of the glass surface

Tools required
 · hexagonal spanner SW6

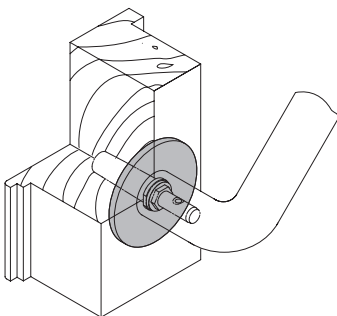


HEWI Fixing type 8...
 · for double-sided fixing to solid wood, synthetic material and aluminium sections
 · drill hole in door \varnothing 12 mm

BA8.12.20	15,90	68	door thickness 12-20 mm
BA8.20.30	15,90	68	door thickness 20-30 mm
BA8.30.40	15,90	68	door thickness 30-40 mm
BA8.40.50	15,90	68	door thickness 40-50 mm
BA8.50.60	15,90	68	door thickness 50-60 mm
BA8.60.70	15,90	68	door thickness 60-70 mm
BA8.70.80	15,90	68	door thickness 70-80 mm
BA8.80.90	15,90	68	door thickness 80-90 mm
BA8...R	15,90	68	· do., for pull handle 33.2070S

Tools required
 · hexagonal spanner SW6

Mounting instructions
 can also be used for securing using mortice locks.



505340A 13,10 68 **HEWI Renovation solution for stainless steel pull handles**
 · disk to cover existing drill holes in the door
 · \varnothing 70 mm, 4,5 mm thick
 · made of stainless steel
 · supplied without fixing type

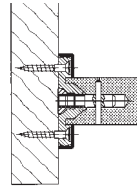
Item Number GBP PG

Specification

Fixing types for:
one-sided installation

→ Pull handles with roses

BA1...P..



HEWI Fixing type 1...PA

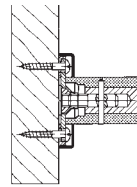
· for one-sided handle fixing from the front with polyamide roses

Not for use with handles with inclined supports.
Supplied without 6 mm diameter countersunk screws.

Please advise colour when ordering.*

			Support	Cap	Rose base	Handle mounting height
BA1.30PA*	14,20	68	ø 30 mm	ø 68 mm	Polyamide	+ 8 mm
BA1.33PA*	14,20	68	ø 33 mm	ø 70 mm	Polyamide	+ 6 mm
BA1.40PA*	14,20	68	ø 40 mm	ø 80 mm	Polyamide	+ 6 mm

BA1...STG



HEWI Fixing type 1...STG

· for one-sided handle fixing from the front with steel rose base and polyamide roses

Not for use with handles with inclined supports.
Supplied without 6 mm diameter countersunk screws.

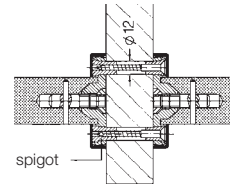
Please advise colour when ordering.*

			Support	Cap	Rose base	Handle mounting height
BA1.30STG*	16,50	68	ø 30 mm	ø 70 mm separated	steel	+ 5 mm
BA1.33STG*	16,50	68	ø 33 mm	ø 80 mm separated	steel	+ 5 mm

Fixing types for:
installation per pair

→ Pull handles with roses

BA2...P..



HEWI Fixing type 2...PA

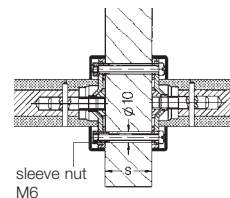
· for double-sided handle fixing from the front with polyamide roses

Not for use with handles with inclined supports.
Supplied without 6 mm diameter countersunk screws.

Please advise colour when ordering.*

			Support	Cap	Rose base	Handle mounting height
BA2.30PA*	27,70	68	ø 30 mm	ø 68 mm	Polyamide	+ 8 mm
BA2.33PA*	27,70	68	ø 33 mm	ø 70 mm	Polyamide	+ 6 mm
BA2.40PA*	27,70	68	ø 40 mm	ø 80 mm	Polyamide	+ 6 mm

BA2...STG



HEWI Fixing type 2...STG

· for double-sided handle fixing from the front with steel rose base and polyamide roses

Not for use with handles with inclined supports.
Supplied without 6 mm diameter countersunk screws.

Please advise colour when ordering.*

			Support	Cap	Rose base	Handle mounting height
BA2.30STG*	32,40	68	ø 30 mm	ø 70 mm separated	steel	+ 5 mm
BA2.33STG*	32,40	68	ø 33 mm	ø 80 mm separated	steel	+ 5 mm

* Available polyamide colours

