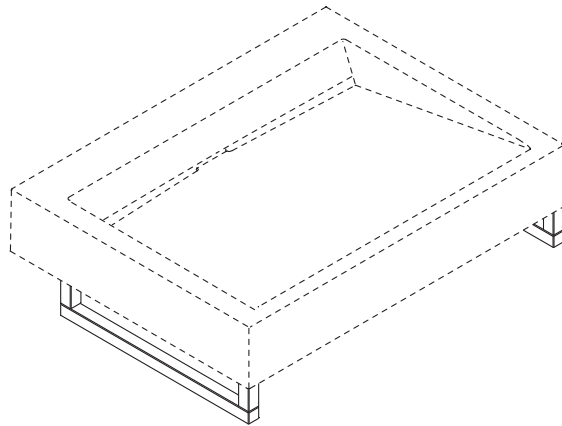


**Product data sheet**  
**Towel rail S01.10.100**

# HEWI

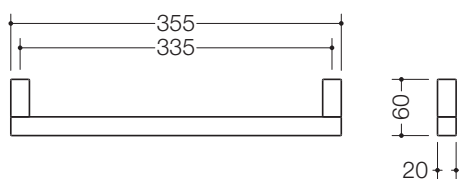


### Towel rail S01.10.100

- zinc die casting, chrome-plated, including fixing materials
- installed to the side on the underside edge of the washbasin
- can be optionally used on the left or right-hand side
- dimensions: 355 mm wide, 60 mm high, 20 mm deep (square)
- suitable for washbasins 950.11.30...



### Dimensions in mm



Surface

chrome

Technical information subject to alteration, 17th August 2019

HEWI Heinrich Wilke GmbH  
Postfach 1260  
D-34442 Bad Arolsen

Telefon: +49 5691 82-366  
Telefax: +49 5691 82-99366  
international@hewi.com  
www.hewi.com

HEWI (UK) Limited  
Holm Oak Barn, Beluncle Halt  
Stoke Road  
Hoo Kent ME3 9NT

Phone +44 1634 258 200  
Fax +44 1634 250 099  
info@hewi.co.uk  
www.hewi.com