

Product data sheet
Seat module M40.74.100007

HEWI

Product is eliminated from 31st March 2021

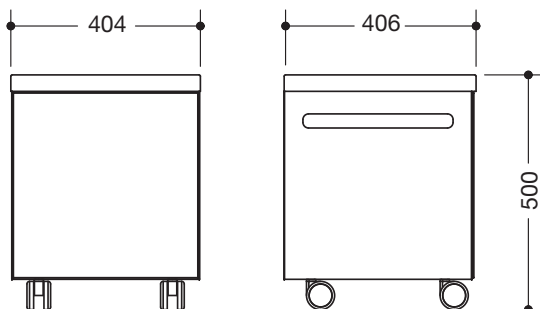


Seat module M40.74.100007

- dimensions: width 404 mm, height 500 mm, depth 406 mm
- corpus elements mitre jointed
- corpus material: MDF 16 mm, CPL faced on both sides, 0.8 mm thick facing, Surface: white, silky gloss, with slight texture
- back panel: MDF 8 mm, CPL faced on both sides, 0.8 mm thick facing
- moisture resistant
- with 4 castors for mobile use, of which 2 braking/lockable castors
- flap/seat upholstery can be opened upwards
- upholstery covered with white synthetic leather, easy to clean and resistant to light
- additional storage space under the seat
- integrated handle recesses at the side
- front: MDF 10 mm, CPL faced on both sides, 0.8 mm thick facing, Surface: silky gloss, with slight texture
- glass front: made of 4 mm float glass (clear glass), backpainted
- colour of the glass front: orange



Dimensions in mm



Surface/Colour

white	07
-------	----

Corpus Glass front

Alternative surface/colours

white	01	03	04	11	02	10	05	06	08	12	13
-------	----	----	----	----	----	----	----	----	----	----	----

Corpus Glass front

Technical information subject to alteration, 17th September 2020

HEWI Heinrich Wilke GmbH
Postfach 1260
D-34442 Bad Arolsen

Telefon: +49 5691 82-366
Telefax: +49 5691 82-99366
international@hewi.com
www.hewi.com

HEWI (UK) Limited
Holm Oak Barn, Beluncle Halt
Stoke Road
Hoo Kent ME3 9NT

Phone +44 1634 258 200
Fax +44 1634 250 099
info@hewi.co.uk
www.hewi.com