

**Product data sheet**  
**Washbasin M40.11.300**

# HEWI



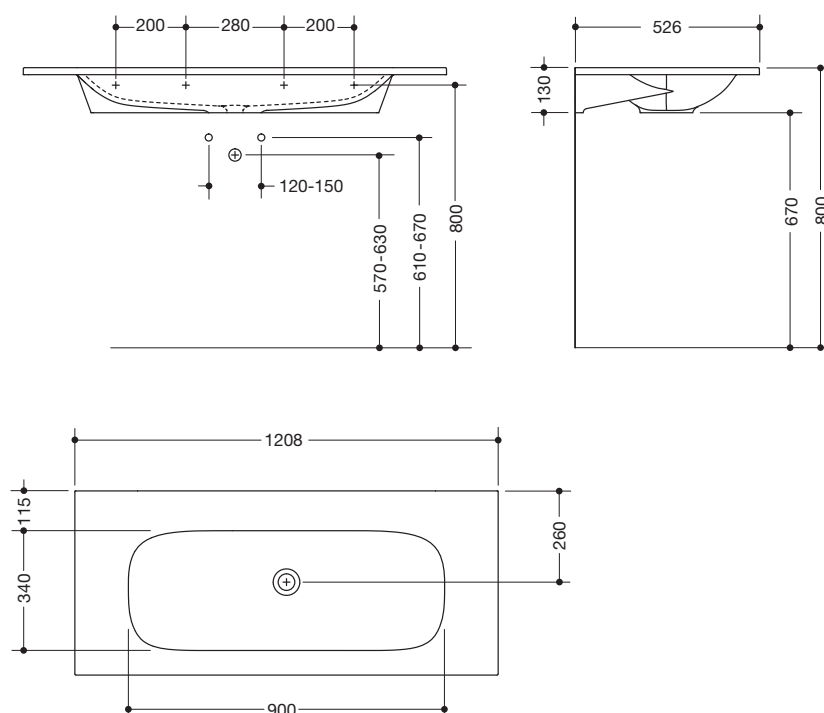
**Product is eliminated from 31st October 2021**

**Washbasin M40.11.300**

- made of mineral composite with non-porous surface, alpine white
- wall-mounted or with washbasin base unit M40.72.1300... combinable
- with shelf and oval basin
- without overflow
- with drain edge
- wheelchair accessible
- for wall-mounted fittings
- weight capacity to EN 14688
- 1208 mm wide and 526 mm deep
- for hanger bolt fixing
- CE marking according to Construction Products Regulation No. 305/2011



**Dimensions in mm**



Technical information subject to alteration, 16th October 2020

HEWI Heinrich Wilke GmbH  
Postfach 1260  
D-34442 Bad Arolsen

Telefon: +49 5691 82-366  
Telefax: +49 5691 82-99366  
international@hewi.com  
www.hewi.com

HEWI (UK) Limited  
Holm Oak Barn, Beluncle Halt  
Stoke Road  
Hoo Kent ME3 9NT

Phone +44 1634 258 200  
Fax +44 1634 250 099  
info@hewi.co.uk  
www.hewi.com