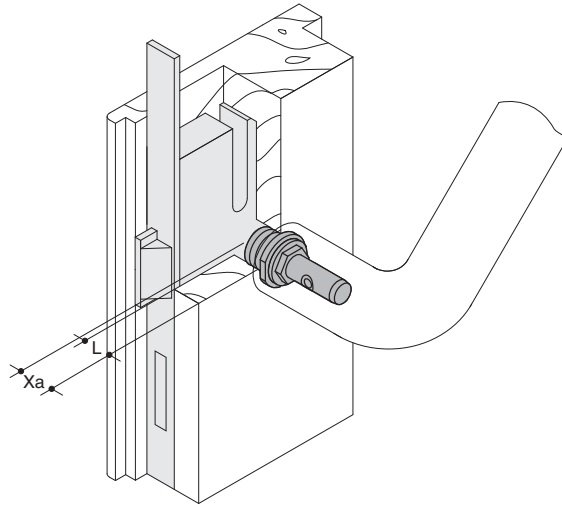


Product data sheet
Type BA5.7... BA5.7.3L18R

HEWI



Type BA5.7... BA5.7.3L18R

for one-sided handle fixing, for handles with inclined supports, on solid wood, PVC and 2 - 3 chamber aluminium profiles. Fire protection frames made of steel, stainless steel or aluminium in the lock area

Technical information subject to alteration, 17th August 2019

HEWI Heinrich Wilke GmbH
Postfach 1260
D-34442 Bad Arolsen

Telefon: +49 5691 82-366
Telefax: +49 5691 82-99366
international@hewi.com
www.hewi.com

HEWI (UK) Limited
Holm Oak Barn, Beluncle Halt
Stoke Road
Hoo Kent ME3 9NT

Phone +44 1634 258 200
Fax +44 1634 250 099
info@hewi.co.uk
www.hewi.com