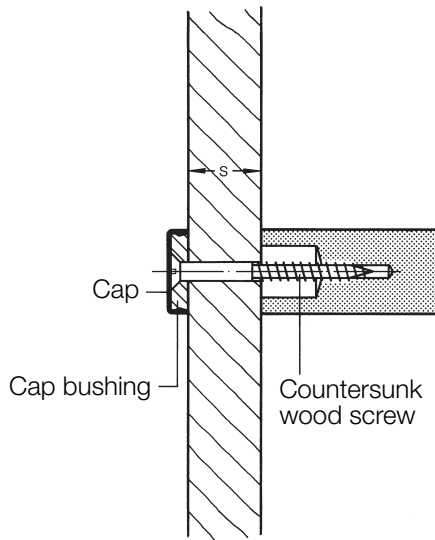


Product data sheet
Fixing type 4 BA23.4

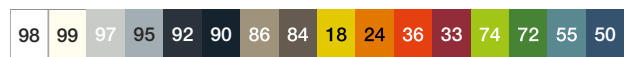
HEWI

Fixing type 4 BA23.4

for screw fixing from the rear with blank rose.
 According to HEWI colour chart

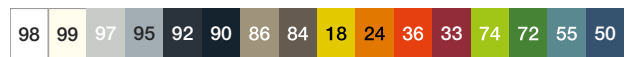


Colours



Polyamide

Alternative colours



Polyamide, mat

Technical information subject to alteration, 9th June 2020

HEWI Heinrich Wilke GmbH
 Postfach 1260
 D-34442 Bad Arolsen

Telefon: +49 5691 82-366
 Telefax: +49 5691 82-99366
 international@hewi.com
 www.hewi.com

HEWI (UK) Limited
 Holm Oak Barn, Beluncle Halt
 Stoke Road
 Hoo Kent ME3 9NT

Phone +44 1634 258 200
 Fax +44 1634 250 099
 info@hewi.co.uk
 www.hewi.com