

**Product data sheet**  
**Single lever washbasin mixer tap AQ1.12M10860**

# HEWI

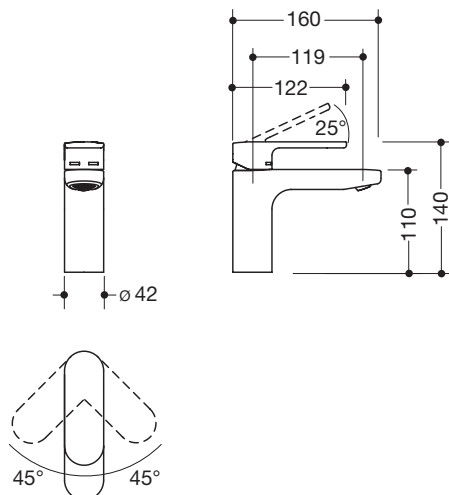
Available in DE, AT, FR, UK, BE, PL, NL, LU

### Single lever washbasin mixer tap AQ1.12M10860

- matt black powder-coated, round
- Flow rate 5 l/min
- Ceramic cartridge Kerox K-35OP, pressure resistant up to 35 bar
- Laminar jet regulator with dynamic flow control 5 l/min, angle-adjustable and theft-protected
- Connection via flexible pressure hoses with braided warm-cold marking, 450 mm long, G 3/8".
- fitting body Brass
- Operating lever with warm-cold marking
- 140 mm high, projection 160 mm
- Rigid outlet
- without drain set
- suitable for thermal disinfection according to WRAS
- Noise class 1
- WRAS certified
- WELL Label in preparation



### Dimensions in mm



Surface

DC

Alternative surface

Chr

Technical information subject to alteration, 6th July 2021

HEWI Heinrich Wilke GmbH  
Postfach 1260  
D-34442 Bad Arolsen

Telefon: +49 5691 82-366  
Telefax: +49 5691 82-99366  
international@hewi.com  
www.hewi.com

HEWI (UK) Limited  
Holm Oak Barn, Beluncle Halt  
Stoke Road  
Hoo Kent ME3 9NT

Phone +44 1634 258 200  
Fax +44 1634 250 099  
info@hewi.co.uk  
www.hewi.com