

**Product data sheet**  
**Single lever washbasin mixer tap AQ1.12M10140**

# HEWI

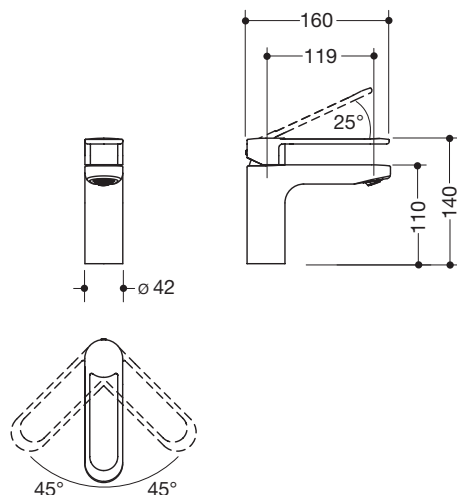
Available in DE, AT, FR, UK, BE, PL, NL, LU

### Single lever washbasin mixer tap AQ1.12M10140

- high-quality chrome-plated, round
- Flow rate 5 l/min
- Ceramic cartridge Kerox K-35OP, pressure resistant up to 35 bar
- Laminar jet controller with dynamic flow control 5 l/min, angle adjustable and anti-theft protection
- Connection via flexible pressure hoses with woven-in hot-cold marking 450 mm long, G 3/8
- Brass fitting body
- open operating lever with hot-cold marking
- 140 mm high, projection 160 mm
- rigid outlet
- not including waste fittings
- suitable for thermal disinfection according to DVGW W 551
- Noise class 1
- DVGW certified
- with WELL label



### Dimensions in mm



### Surface fitting

chrome

Technical information subject to alteration, 2nd April 2020

HEWI Heinrich Wilke GmbH  
Postfach 1260  
D-34442 Bad Arolsen

Telefon: +49 5691 82-366  
Telefax: +49 5691 82-99366  
international@hewi.com  
www.hewi.com

HEWI (UK) Limited  
Holm Oak Barn, Beluncle Halt  
Stoke Road  
Hoo Kent ME3 9NT

Phone +44 1634 258 200  
Fax +44 1634 250 099  
info@hewi.co.uk  
www.hewi.com