

**Product data sheet**  
**Removable hanging seat 950.51.10090**

# HEWI

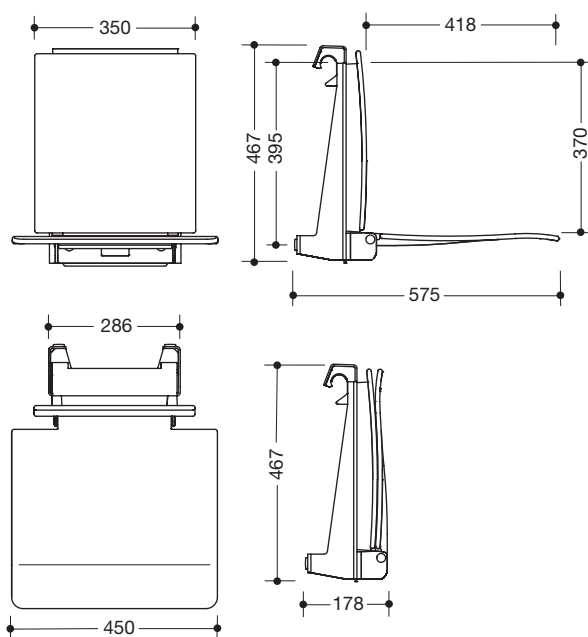


**Removable hanging seat 950.51.10090**

- ergonomically shaped seat with backrest
- used for safe sitting in the shower area
- 450 mm wide, 575 mm deep and 467 mm high
- hanging device made of metal, white powder-coated
- seat and backrest made of white, glass fibre reinforced polyamide
- ergonomically curved seat shape for a highly comfortable sitting
- large radii at the outside edges of the seat
- slip-resistant, textured seat surface
- seat can be folded up to save space
- no struts and fixings visible in folded up state
- carry handle can be lowered when not in use and at the same time acts as a stabiliser
- for hanging in HEWI shower grab rails and support rails diameter 33 mm
- maximum weight capacity 150 kg



Dimensions in mm



Surface/Colour

white	98
-------	----

Hanging device      Seat

Alternative surface/colour

92	92
----	----

Hanging device      Seat

Technical information subject to alteration, 15th September 2020

HEWI Heinrich Wilke GmbH  
 Postfach 1260  
 D-34442 Bad Arolsen

Telefon: +49 5691 82-366  
 Telefax: +49 5691 82-99366  
 international@hewi.com  
 www.hewi.com

HEWI (UK) Limited  
 Holm Oak Barn, Beluncle Halt  
 Stoke Road  
 Hoo Kent ME3 9NT

Phone +44 1634 258 200  
 Fax +44 1634 250 099  
 info@hewi.co.uk  
 www.hewi.com