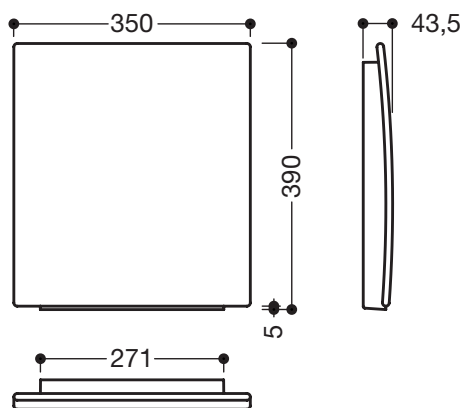


### Back rest 950.51.02090

- backrest for HEWI hinged seats 350, 450 and R 380 (950.51.2 ...)
- 350 mm wide, 390 mm high and 43.5 mm deep
- made of glass fibre reinforced polyamide, in the colours 98 (signal white) and 92 (anthracite grey)
- concealed fixing in undercut
- incl. non-corrosive HEWI fixing materials



### Dimensions in mm



### Colours

98	92
----	----

Technical information subject to alteration, 16th August 2019

HEWI Heinrich Wilke GmbH  
Postfach 1260  
D-34442 Bad Arolsen

Telefon: +49 5691 82-366  
Telefax: +49 5691 82-99366  
international@hewi.com  
www.hewi.com

HEWI (UK) Limited  
Holm Oak Barn, Beluncle Halt  
Stoke Road  
Hoo Kent ME3 9NT

Phone +44 1634 258 200  
Fax +44 1634 250 099  
info@hewi.co.uk  
www.hewi.com