

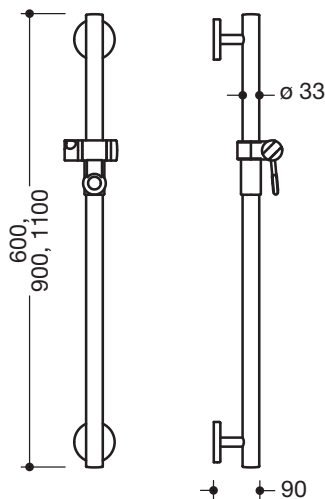


Similar picture

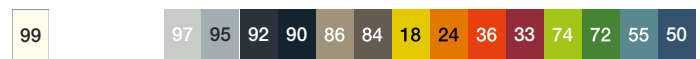
### Rail with shower head holder 950.33.12099

- vertical rail with supports perpendicular to the wall and roses, with shower head holder
- rail with shower head holder made of high-quality polyamide
- vertical rail and gripping area of the shower head holder according to HEWI colour chart
- shower head holder, supports and roses made of high-quality polyamide in the HEWI colour 99 (pure white)
- with continuous, corrosion resistant steel core
- outside dimension 1100 mm
- rail diameter 33 mm, 90 mm deep
- wall connection with discreet supports (diameter 18 mm) perpendicular to wall and flat roses
- rose diameter 80 mm, cap height 13 mm
- shower head holder can be continuously tilted and, after pulling or pushing a large lever, its height can be adjusted
- conical adapter on shower head holder makes it easier to hook in the handheld shower head
- suitable for shower heads of various manufacturers
- easy installation due to individually installed mounting plates made of high-quality stainless steel for hanging the shower head rail
- including non-corrosive HEWI fixing material.

### Dimensions in mm

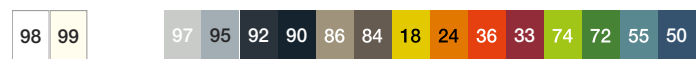


### Colours



Basic colour Rail

### Alternative colours



Basic colour Rail

Technical information subject to alteration, 16th August 2019

HEWI Heinrich Wilke GmbH  
Postfach 1260  
D-34442 Bad Arolsen

Telefon: +49 5691 82-366  
Telefax: +49 5691 82-99366  
international@hewi.com  
www.hewi.com

HEWI (UK) Limited  
Holm Oak Barn, Beluncle Halt  
Stoke Road  
Hoo Kent ME3 9NT

Phone +44 1634 258 200  
Fax +44 1634 250 099  
info@hewi.co.uk  
www.hewi.com