



Product data sheet

Rail with shower head holder WARM TOUCH 950.33.12051

HEWI



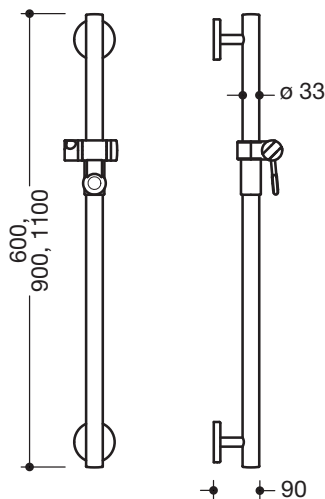
Similar picture

Rail with shower head holder WARM TOUCH 950.33.12051

- vertical rail with supports perpendicular to the wall and roses, with shower head holder
- made of high-quality chrome-look coated polyamide that is warm to touch
- shower head holder made of high-quality polyamide in HEWI colour 98 (signal white)
- with continuous, corrosion resistant steel core
- outside dimension 1100 mm
- rail diameter 33 mm, 90 mm deep
- wall connection with discreet supports (diameter 18 mm) perpendicular to wall and flat roses
- rose diameter 80 mm, cap height 13 mm
- shower head holder can be continuously tilted and, after pulling or pushing a large lever, its height can be adjusted
- conical adapter on shower head holder makes it easier to hook in the handheld shower head
- suitable for shower heads of various manufacturers
- easy installation due to individually installed mounting plates made of high-quality stainless steel for hanging the shower head rail
- fixing with grub screw located on the underside of the rose
- including non-corrosive HEWI fixing material



Dimensions in mm



Surface/Colour

WARM TOUCH	98
Chrome-look coated polyamide	Shower head holder

Alternative surface/colour

WARM TOUCH	92
Chrome-look coated polyamide	Shower head holder

Technical information subject to alteration, 4th August 2021

HEWI Heinrich Wilke GmbH
Postfach 1260
D-34442 Bad Arolsen

Telefon: +49 5691 82-366
Telefax: +49 5691 82-99366
international@hewi.com
www.hewi.com

HEWI (UK) Limited
Holm Oak Barn, Beluncle Halt
Stoke Road
Hoo Kent ME3 9NT

Phone +44 1634 258 200
Fax +44 1634 250 099
info@hewi.co.uk
www.hewi.com