

## Product data sheet

### Product set washbasin and fitting 950.19.040

# HEWI

Available in DE, AT, FR, UK, BE, PL, NL, LU



#### Product set washbasin and fitting 950.19.040

Washbasin M40.11.501

- made of mineral composite with non-porous surface, alpine white
- with shelf and oval basin
- integrated gripping feature on the side, can be used as a towel holder
- without overflow, prepared for single hole mixer tap
- wheelchair accessible to DIN 18040 and ÖNORM B1600/1601
- weight capacity to EN 14688, for hanger bolt fixing
- 650 mm wide and 550 mm deep
- CE marking according to Construction Products Regulation No. 305/2011

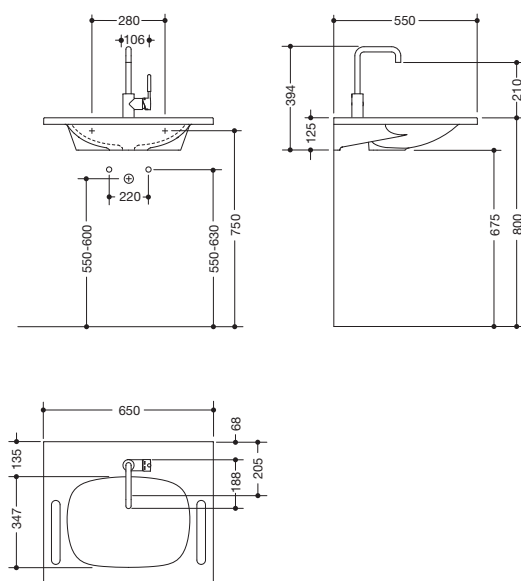
and

Single lever washbasin mixer tap AQ1.12M10640

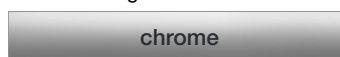
- high-quality chrome-plated, round tube
- with coloured lever grip element made of polyamide in selected HEWI colours
- flow rate 5 l/min, noise class 1
- Kerox K-35B ceramic cartridge, pressure resistant up to 35 bar
- laminar flow regulator with dynamic flow control 5 l/min, with anti-theft protection
- connection via flexible pressure hoses with woven-in hot-cold marking, 450 mm long, G 3/8
- brass fitting body
- open operating lever with hot-cold marking
- 270 mm high, 187 mm projection
- swivel spout, can be optionally locked in position, without waste fittings
- suitable for thermal disinfection to WRAS
- WRAS certified, with WELL label



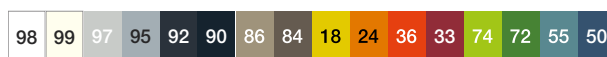
#### Dimensions in mm



#### Surface fitting



#### Colours



#### Gripping element

Technical information subject to alteration, 8th August 2021

HEWI Heinrich Wilke GmbH  
Postfach 1260  
D-34442 Bad Arolsen

Telefon: +49 5691 82-366  
Telefax: +49 5691 82-99366  
international@hewi.com  
www.hewi.com

HEWI (UK) Limited  
Holm Oak Barn, Beluncle Halt  
Stoke Road  
Hoo Kent ME3 9NT

Phone +44 1634 258 200  
Fax +44 1634 250 099  
info@hewi.co.uk  
www.hewi.com