

Available in DE, AT, FR, UK, BE, PL, NL, LU



Product set washbasin and fitting 950.19.016

Washbasin 950.11.601

- made of mineral composite with non-porous surface, alpine white
- with shelf and oval basin
- integrated gripping feature, can be used as a towel holder
- without overflow, prepared for single hole mixer tap
- wheelchair accessible to DIN 18040 and ÖNORM B1600/1601
- weight capacity to EN 14688, for hanger bolt fixing
- 850 mm wide and 550 mm deep
- CE marking according to Construction Products Regulation No. 305/2011

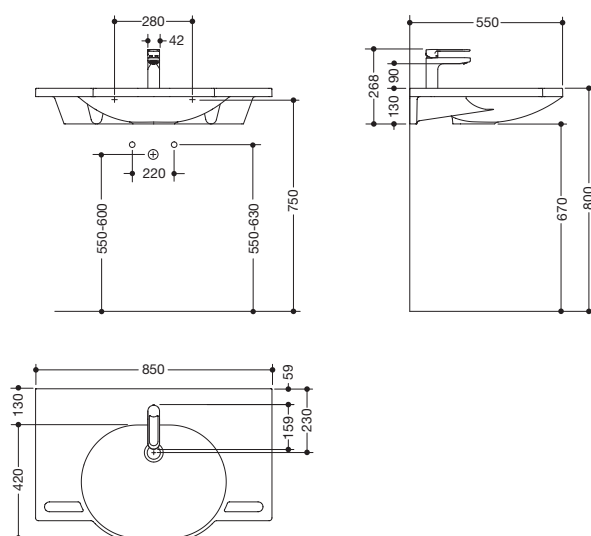
and

Single-lever washbasin mixer tap AQ1.12M10140

- high-quality chrome-plated, round
- flow rate 5 l/min, noise class 1
- ceramic cartridge Kerox K-35OP, pressure resistant up to 35 bar
- laminar jet controller with dynamic flow control 5 l/min, angle adjustable and anti-theft protection
- connection via flexible pressure hoses with woven-in hot-cold marking 450 mm long, G 3/8
- brass fitting body
- open operating lever with hot-cold marking
- 140 mm high, projection 160 mm
- rigid outlet, without waste fittings
- suitable for thermal disinfection according to WRAS
- WRAS certified, with WELL label



Dimensions in mm



Surface fitting

chrome

Technical information subject to alteration, 8th August 2021

HEWI Heinrich Wilke GmbH
Postfach 1260
D-34442 Bad Arolsen

Telefon: +49 5691 82-366
Telefax: +49 5691 82-99366
international@hewi.com
www.hewi.com

HEWI (UK) Limited
Holm Oak Barn, Beluncle Halt
Stoke Road
Hoo Kent ME3 9NT

Phone +44 1634 258 200
Fax +44 1634 250 099
info@hewi.co.uk
www.hewi.com