

Product data sheet

Product set washbasin and fitting 950.19.013

HEWI

Available in DE, AT, FR, UK, BE, PL, NL, LU



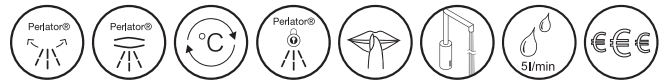
Product set washbasin and fitting 950.19.013

Washbasin 950.11.201

- made of mineral composite with non-porous surface, alpine white
- with shelf and oval basin
- integrated gripping feature, can be used as a towel holder
- without overflow, prepared for single hole mixer tap
- wheelchair accessible, weight capacity to EN 14688, for hanger bolt fixing
- 850 mm wide and 415 mm deep
- CE marking according to Construction Products Regulation No. 305/2011
- fulfils the ÖNORM B1600/1601 requirements for small basins and

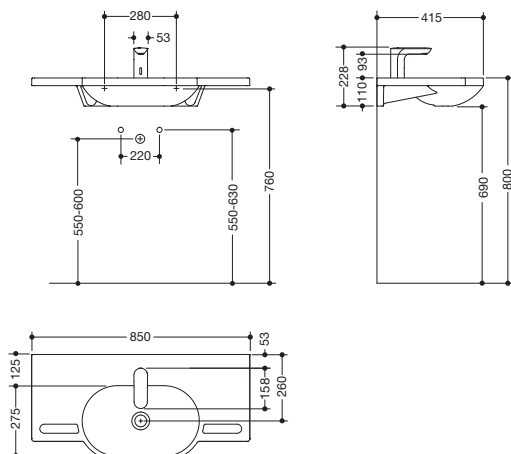
Electronic washbasin fitting AQ1.12S20040

- high-quality chrome-plated, round
- flow rate 5 l/min, for cold/mixed water, noise class 1, mains operation 230 V
- cold water: 3/8" T-distributor necessary, see accessories Art. No. 65755
- laminar jet controller with dynamic flow control 5 l/min, angle adjustable and anti-theft protection
- adjustable, active, nuisance tripping-resistant infrared sensors
- electronic module with adjustable sensing range, hygiene flushing, continuous flushing and cleaning mode
- sensor parameters preset in the factory: after-run time: approx. 1-2 s, continuous running: 4 min, sensing range: 200 mm, cleaning mode: 60 s, hygiene flushing is deactivated
- asymmetrical sensing range, stable object detection
- settings and service also possible by means of app via smartphone, see accessories Art. No. 65713
- safety shutdown in the event of failure of the operating voltage, user-defined settings are retained
- without temperature adjustment lever: highly hygienic, vandal/misuse resistant
- the preset temperature lies within the comfort zone from 30 °C to 36 °C
- temperature settings and adjustment can be easily made during installation due to side access
- connection via flexible pressure hoses with woven-in hot-cold marking 450 mm long, G 3/8"
- brass fitting body
- 118 mm high, projection: 158 mm
- rigid outlet, without waste fittings, integrated dirt trap screens
- suitable for thermal disinfection according to WRAS
- conforms EN 15091, with WELL Label



2018 HEWI SENSORIC

Dimensions in mm



Surface fitting

chrome

Technical information subject to alteration, 7th October 2021

HEWI Heinrich Wilke GmbH
Postfach 1260
D-34442 Bad Arolsen

Telefon: +49 5691 82-366
Telefax: +49 5691 82-99366
international@hewi.com
www.hewi.com

HEWI (UK) Limited
Holm Oak Barn, Beluncle Halt
Stoke Road
Hoo Kent ME3 9NT

Phone +44 1634 258 200
Fax +44 1634 250 099
info@hewi.co.uk
www.hewi.com