

Product is eliminated from 30th November 2022

Available in DE, AT, FR, UK, BE, PL, NL, LU

Product set washbasin and fitting 950.19.011

Washbasin 950.11.201

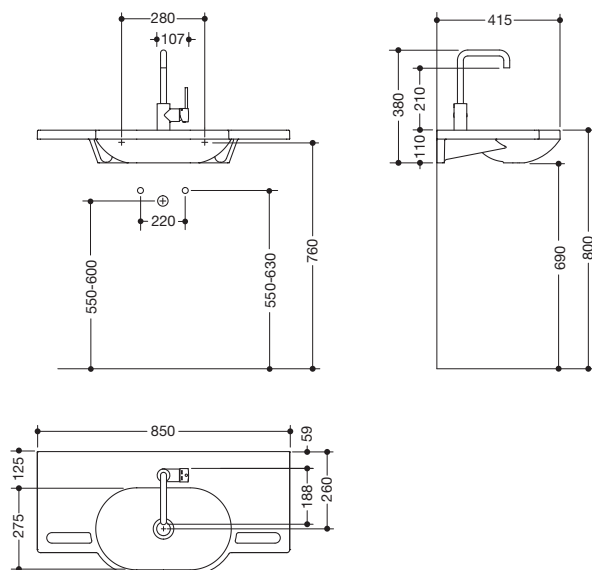
- made of mineral composite with non-porous surface, alpine white
- with shelf and oval basin
- integrated gripping feature, can be used as a towel holder
- without overflow, prepared for single hole mixer tap
- wheelchair accessible, weight capacity to EN 14688, for hanger bolt fixing
- 850 mm wide and 415 mm deep
- CE marking according to Construction Products Regulation No. 305/2011
- fulfils the ÖNORM B1600/1601 requirements for small basins and

Single-lever washbasin mixer tap AQ1.12M10440

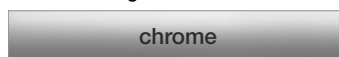
- high-quality chrome-plated, round tube
- flow rate 5 l/min, noise class 1
- ceramic cartridge Kerox K-35B, pressure resistant up to 35 bar
- laminar jet controller with dynamic flow control 5 l/min, anti-theft protection
- connection via flexible pressure hoses with woven-in hot-cold marking 450 mm long, G 3/8
- brass fitting body
- open operating lever with hot-cold marking
- 270 mm high, projection 187 mm
- swivel outlet, optionally lockable, without waste fittings
- suitable for thermal disinfection according to WRAS
- WRAS certified, with WELL label



Dimensions in mm



Surface fitting



Technical information subject to alteration, 3rd November 2021

HEWI Heinrich Wilke GmbH
 Postfach 1260
 D-34442 Bad Arolsen

Telefon: +49 5691 82-366
 Telefax: +49 5691 82-99366
 international@hewi.com
 www.hewi.com

HEWI (UK) Limited
 Holm Oak Barn, Beluncle Halt
 Stoke Road
 Hoo Kent ME3 9NT

Phone +44 1634 258 200
 Fax +44 1634 250 099
 info@hewi.co.uk
 www.hewi.com