

Product data sheet

Product set washbasin and fitting 950.19.001

HEWI

Available in DE, AT, FR, UK, BE, PL, NL, LU



Product set washbasin and fitting 950.19.001

Washbasin 950.11.101

- made of mineral composite with non-porous surface, alpine white
- with shelf and round basin
- integrated gripping feature on the side, can be used as a towel holder
- without overflow, prepared for single hole mixer tap
- wheelchair accessible to DIN 18040 and ÖNORM B1600/1601
- weight capacity to EN 14688, for hanger bolt fixing
- 600 mm wide and 550 mm deep
- CE marking according to Construction Products Regulation No. 305/2011

and

Single-lever washbasin mixer tap AQ1.12M10240

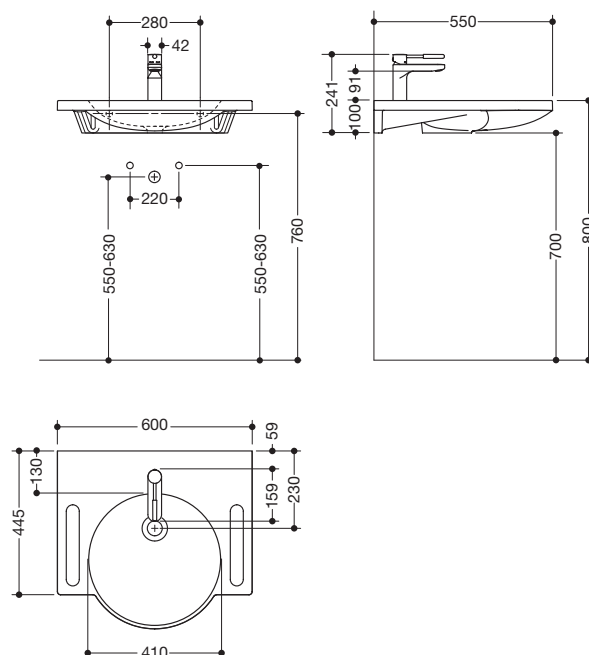
- high-quality chrome-plated, round, with coloured gripping element made of polyamide in selected HEWI colours
- flow rate 5 l/min, noise class 1
- ceramic cartridge Kerox K-35OP, pressure resistant up to 35 bar
- laminar jet controller with dynamic flow control 5 l/min, angle adjustable and anti-theft protection
- connection via flexible pressure hoses with woven-in hot-cold marking 450 mm long, G 3/8
- brass fitting body
- open operating lever with hot-cold marking
- 141 mm high, projection 159 mm
- rigid outlet, without waste fittings
- suitable for thermal disinfection according to WRAS
- WRAS certified, with WELL label



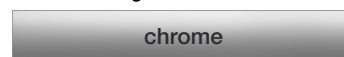
Interior
Innovation
award
2013
Best of Best



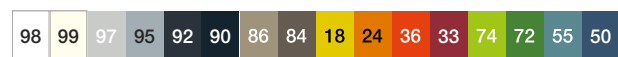
Dimensions in mm



Surface fitting



Colours



Gripping element

Technical information subject to alteration, 8th August 2021

HEWI Heinrich Wilke GmbH
Postfach 1260
D-34442 Bad Arolsen

Telefon: +49 5691 82-366
Telefax: +49 5691 82-99366
international@hewi.com
www.hewi.com

HEWI (UK) Limited
Holm Oak Barn, Beluncle Halt
Stoke Road
Hoo Kent ME3 9NT

Phone +44 1634 258 200
Fax +44 1634 250 099
info@hewi.co.uk
www.hewi.com