

Product data sheet
Washbasin 950.13.101

HEWI

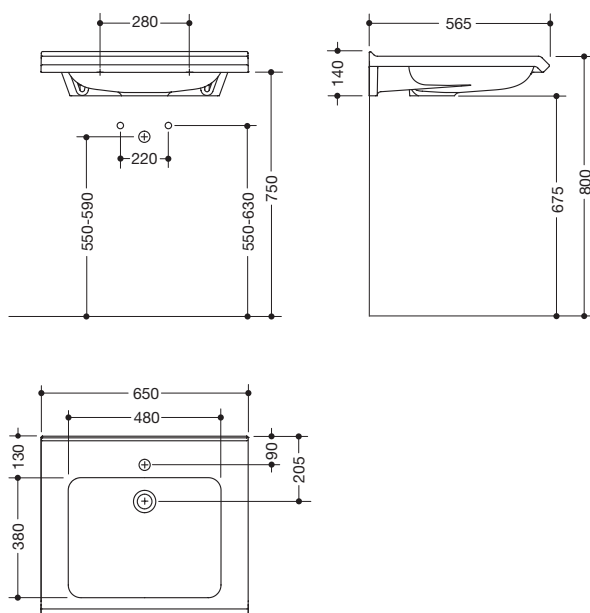


Washbasin 950.13.101

- made of mineral composite material with non-porous surface
- with gushing edge to wall
- with shelf and deep rectangular basin with generous radii
- with concealed gripping edge
- wheelchair accessible to DIN 18040 and ÖNORM B1600/1601
- 650 mm wide, 565 mm deep
- wash trough depth 100 mm
- prepared for single hole mixer tap
- without overflow
- loading capacity to EN 14688
- prepared for single hole mixer tap
- CE marking according to Construction Products Regulation No. 305/2011



Dimensions in mm



Mineral composite



Alpine white

Technical information subject to alteration, 8th September 2021

HEWI Heinrich Wilke GmbH
Postfach 1260
D-34442 Bad Arolsen

Telefon: +49 5691 82-366
Telefax: +49 5691 82-99366
international@hewi.com
www.hewi.com

HEWI (UK) Limited
Holm Oak Barn, Beluncle Halt
Stoke Road
Hoo Kent ME3 9NT

Phone +44 1634 258 200
Fax +44 1634 250 099
info@hewi.co.uk
www.hewi.com