

Product data sheet
Shelf 950.13.0015

HEWI

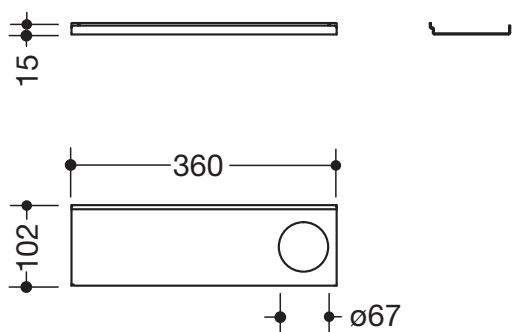


Shelf 950.13.0015

- adaptive additional functions for the wall profiles 950.13.001.. and wash basin model 950.13.20..
- Shelf can easily be inserted and removed in the profile on the wash basin
- Additional storage space at the wash basin
- Shelf 360 mm wide, 102 mm deep
- Hole serves to accommodate tumblers and soap dispensers of the System 800 K
- Made of high quality stainless steel
- powder-coated in the HEWI colours DX (matt white), DC (matt black), AY (matt light grey pearl mica) and SC (matt dark grey pearl mica)
- Load capacity up to 2 kg



Dimensions in mm



Surfaces

| | | | |
|----|----|----|----|
| DX | DC | AY | SC |
|----|----|----|----|

Technical information subject to alteration, 13th December 2019

HEWI Heinrich Wilke GmbH
Postfach 1260
D-34442 Bad Arolsen

Telefon: +49 5691 82-366
Telefax: +49 5691 82-99366
international@hewi.com
www.hewi.com

HEWI (UK) Limited
Holm Oak Barn, Beluncle Halt
Stoke Road
Hoo Kent ME3 9NT

Phone +44 1634 258 200
Fax +44 1634 250 099
info@hewi.co.uk
www.hewi.com