

Product data sheet
Washbasin profile with 3 hooks 950.13.0008

HEWI

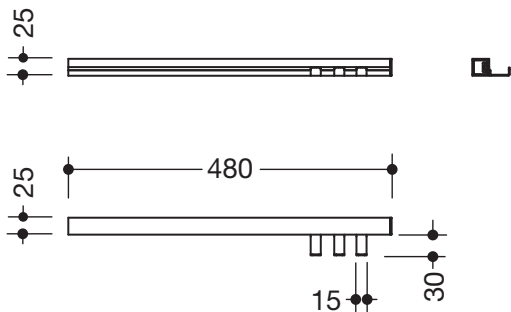


Washbasin profile with 3 hooks 950.13.0008

- adaptive additional functions for the wash basin model 950.13.20..
- Hooks can easily be inserted and removed in the profile on the wash basin
- Additional hanging space directly at the wash basin
- 15 mm wide
- Made of high quality stainless steel
- powder-coated in the HEWI colours DX (matt white), DC (matt black), AY (matt light grey pearl mica) and SC (matt dark grey pearl mica)
- Load capacity up to 2 kg
- Including corrosion-free HEWI fastening material for the profile



Dimensions in mm



Surfaces/Colours

| | | | |
|----|----|----|----|
| DX | DC | AY | SC |
|----|----|----|----|

Technical information subject to alteration, 31st March 2021

HEWI Heinrich Wilke GmbH
Postfach 1260
D-34442 Bad Arolsen

Telefon: +49 5691 82-366
Telefax: +49 5691 82-99366
international@hewi.com
www.hewi.com

HEWI (UK) Limited
Holm Oak Barn, Beluncle Halt
Stoke Road
Hoo Kent ME3 9NT

Phone +44 1634 258 200
Fax +44 1634 250 099
info@hewi.co.uk
www.hewi.com