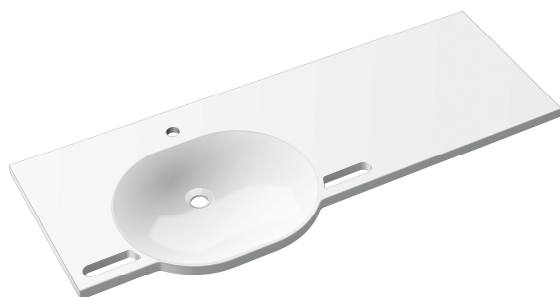


**Product data sheet**  
**Washbasin, made to measure 950.11.601S**

# HEWI

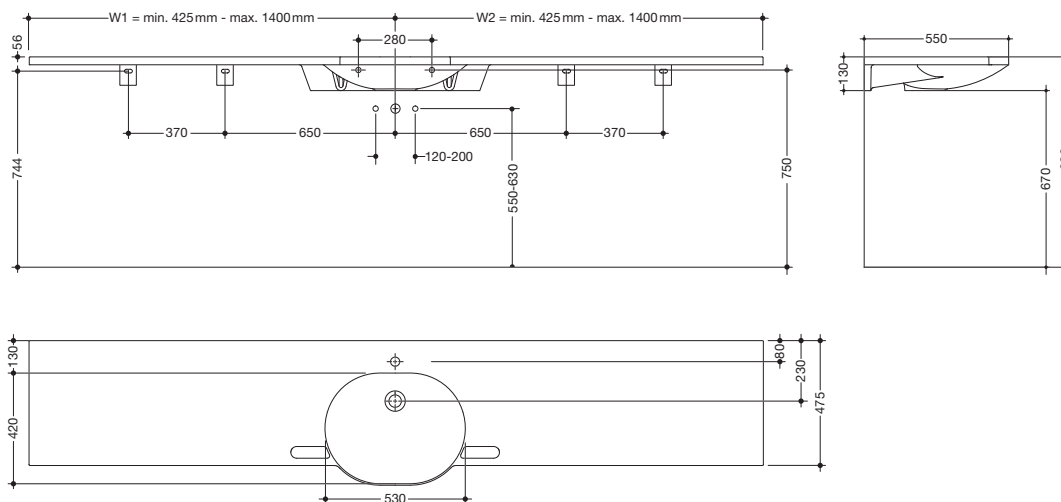


### Washbasin, made to measure 950.11.601S

- made of mineral composite with non-porous surface, alpine white
- with shelf surround and oval basin, variable length
- integrated gripping feature, can be used as a towel holder
- without overflow
- prepared for single hole mixer tap
- wheelchair accessible to DIN 18040 and ÖNORM B1600/1601
- weight capacity to EN 14688
- Basic length: 850 mm, extendable to a total length of up to 2800 mm, 550 mm deep
- for hanger bolt fixing
- supplied with necessary supports
- CE marking according to Construction Products Regulation No. 305/2011



### Dimensions in mm



Technical information subject to alteration, 16th August 2019

HEWI Heinrich Wilke GmbH  
Postfach 1260  
D-34442 Bad Arolsen

Telefon: +49 5691 82-366  
Telefax: +49 5691 82-99366  
international@hewi.com  
www.hewi.com

HEWI (UK) Limited  
Holm Oak Barn, Beluncle Halt  
Stoke Road  
Hoo Kent ME3 9NT

Phone +44 1634 258 200  
Fax +44 1634 250 099  
info@hewi.co.uk  
www.hewi.com