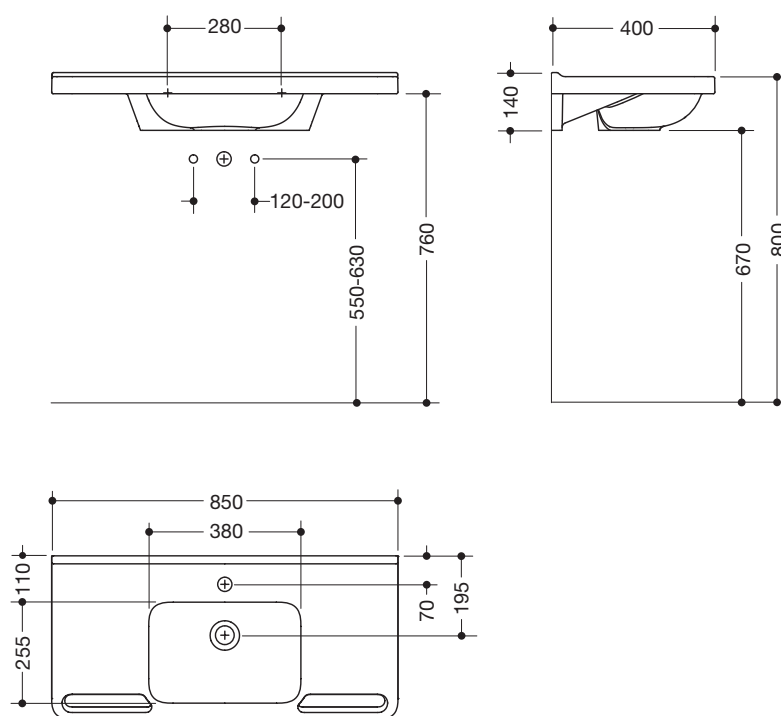


Washbasin 950.11.261

- made of mineral composite material with non-porous surface
- with gushing edge to wall
- with shelf and deep rectangular basin with generous radii
- integrated ergonomic handle to hold, can also be used as a towel holder
- without overflow
- prepared for single hole mixer tap
- wheelchair accessible
- meets the requirements of SIA for hand-rinse basins
- loading capacity to EN 14688
- 850 mm wide, 400 mm deep
- for hanger bolt fixing
- CE marking according to Construction Products Regulation No. 305/2011



Dimensions in mm



Technical information subject to alteration, 16th August 2019

HEWI Heinrich Wilke GmbH
Postfach 1260
D-34442 Bad Arolsen

Telefon: +49 5691 82-366
Telefax: +49 5691 82-99366
international@hewi.com
www.hewi.com

HEWI (UK) Limited
Holm Oak Barn, Beluncle Halt
Stoke Road
Hoo Kent ME3 9NT

Phone +44 1634 258 200
Fax +44 1634 250 099
info@hewi.co.uk
www.hewi.com