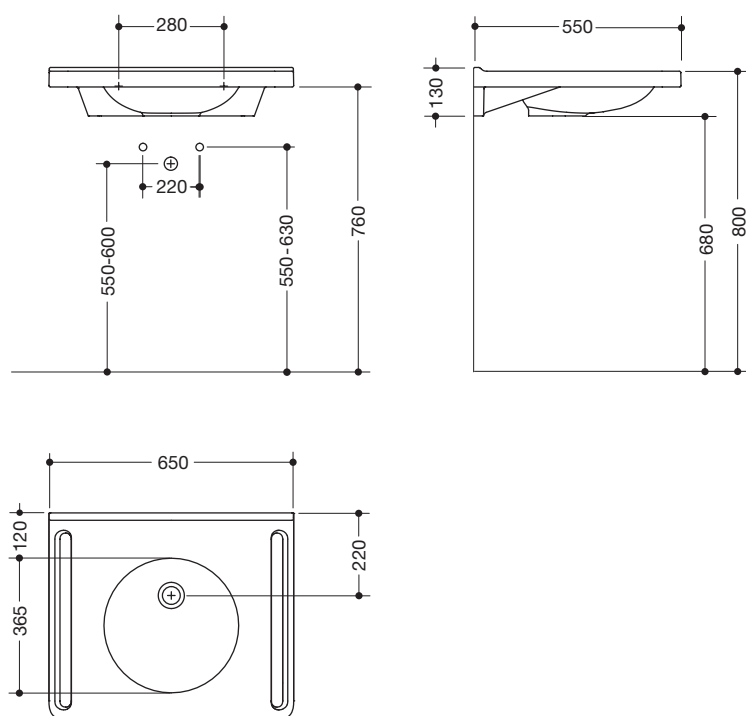


### Washbasin 950.11.150

- made of mineral composite material with non-porous surface
- with gushing edge to wall
- with shelf and deep round basin
- integrated ergonomic handle to hold onto on the side, can also be used as a towel holder
- without overflow
- for wall fitting
- wheelchair accessible to DIN 18040 and ÖNORM B1600/1601
- loading capacity to EN 14688
- 650 mm wide, 550 mm deep
- for hanger bolt fixing
- CE marking according to Construction Products Regulation No. 305/2011



### Dimensions in mm



Technical information subject to alteration, 8th March 2020

HEWI Heinrich Wilke GmbH  
Postfach 1260  
D-34442 Bad Arolsen

Telefon: +49 5691 82-366  
Telefax: +49 5691 82-99366  
international@hewi.com  
www.hewi.com

HEWI (UK) Limited  
Holm Oak Barn, Beluncle Halt  
Stoke Road  
Hoo Kent ME3 9NT

Phone +44 1634 258 200  
Fax +44 1634 250 099  
info@hewi.co.uk  
www.hewi.com