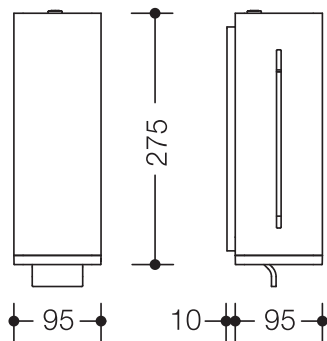




Soap dispenser 950.06.100

- cubic body with recessed wall base
- holds standard liquid soap
- with inner container for free filling, capacity 600 ml
- inner container can be removed for cleaning
- side level indicator
- with locking system as protection against misuse
- 95 mm wide, 275 mm high and 95 mm deep, wall-mounted base 10 mm deep
- for wall mounting
- made of high-quality stainless steel, coated white
- lever made of high-quality, white synthetic material
- functional end made of high-quality synthetic material, chrome-plated
- including non-corrosive HEWI fixing material
- not suitable for disinfectant!

Dimensions in mm



Surfaces

	
Stainless steel, coated	Synthetic material chrome-finish

Technical information subject to alteration, 16th August 2019

HEWI Heinrich Wilke GmbH
Postfach 1260
D-34442 Bad Arolsen

Telefon: +49 5691 82-366
Telefax: +49 5691 82-99366
international@hewi.com
www.hewi.com

HEWI (UK) Limited
Holm Oak Barn, Beluncle Halt
Stoke Road
Hoo Kent ME3 9NT

Phone +44 1634 258 200
Fax +44 1634 250 099
info@hewi.co.uk
www.hewi.com