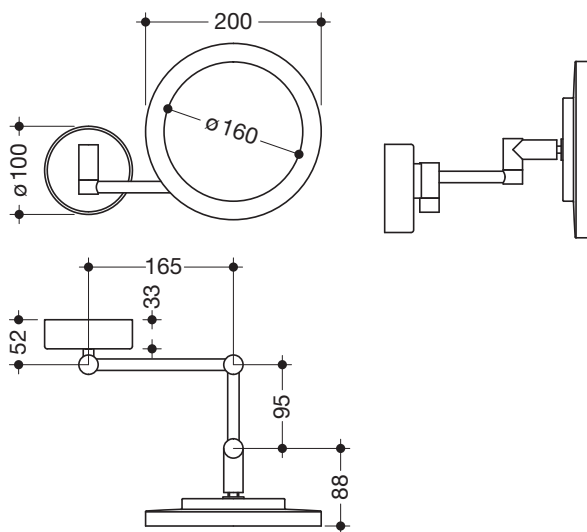


Cosmetic mirror, illuminated 950.01.226

- round, illuminated
- LED lighting, all-round, 20 mm wide
- mirror concave on one side
- 3-fold magnification
- mirror diameter 200 mm, rotatable and tiltable
- flex LED 8.5 V, 3 watts
- daylight white light, 6000 K
- set in a chrome-plated metal frame
- mirror surface diameter 160 mm
- on double-hinged arm, mounting allows movement, length approx. 400 mm
- direct connection without cable, 220-240 V
- on and off switch behind the mirror
- CE marking according to EMC 2004/108/EC
- energy efficiency class A + +, A +, A to Regulation (EU) 874/2012
- for wall mounting, concealed 3-point fixing
- wall connection diameter 100 mm, depth approx. 33 mm
- including non-corrosive HEWI fixing material
- high-quality chrome-plated



Dimensions in mm



Surface

chrome

Technical information subject to alteration, 16th August 2019

HEWI Heinrich Wilke GmbH
Postfach 1260
D-34442 Bad Arolsen

Telefon: +49 5691 82-366
Telefax: +49 5691 82-99366
international@hewi.com
www.hewi.com

HEWI (UK) Limited
Holm Oak Barn, Beluncle Halt
Stoke Road
Hoo Kent ME3 9NT

Phone +44 1634 258 200
Fax +44 1634 250 099
info@hewi.co.uk
www.hewi.com