

**Product data sheet**  
**Backrest 900.51.90540**

# HEWI



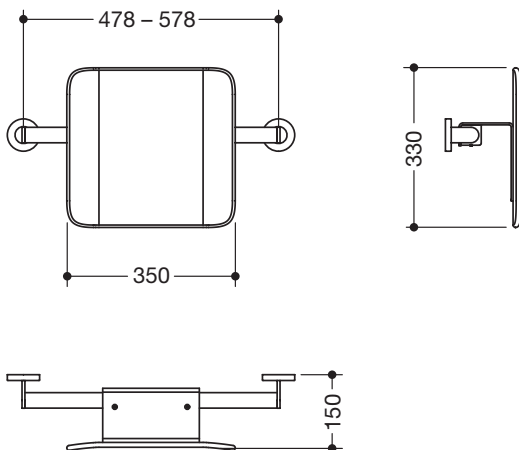
### Backrest 900.51.90540

- backrest with fixing rails with roses on both sides
- serves as back support for toilet users
- for wall mounting
- 330 mm high and 150 mm deep, backrest 350 mm wide, rail diameter 32 mm, tube thickness 2 mm
- Centre-to-centre from 478 to 578 mm, adjustable on site
- backrest made of synthetic material in HEWI colours 98 (signal white) and 92 (anthracite grey)
- connection made of high-quality stainless steel, surface chrome
- including non-corrosive and tested HEWI fixing material
- fulfils the requirements to British-Standard BS 8300:2009+A1:2010/Doc M.



Similar picture

### Dimensions in mm



### Surface/Colours



### Alternative surfaces/colours



Powder coatings

Technical information subject to alteration, 16th August 2019

HEWI Heinrich Wilke GmbH  
Postfach 1260  
D-34442 Bad Arolsen

Telefon: +49 5691 82-366  
Telefax: +49 5691 82-99366  
international@hewi.com  
www.hewi.com

HEWI (UK) Limited  
Holm Oak Barn, Beluncle Halt  
Stoke Road  
Hoo Kent ME3 9NT

Phone +44 1634 258 200  
Fax +44 1634 250 099  
info@hewi.co.uk  
www.hewi.com