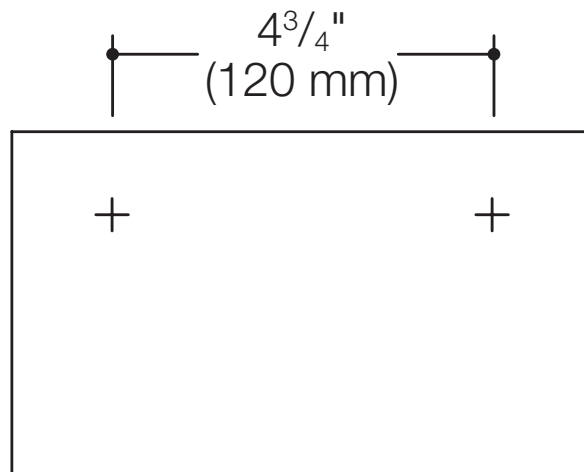


Mobile hinged seat 900.51.40040

- construction consisting of wall bracket and continuous seat
- slip-resistant, textured seat made of synthetic material in HEWI colours 98 (signal white) and 92 (anthracite grey)
- reinforcement of the seat made of aluminium, powder coated in the colour of the seat
- wall bracket made of stainless steel, chrome
- seat can be folded up to save space
- seat depth when folded up 77 mm
- weight capacity up to 150 kg
- for mobile use
- for easy and flexible retrofitting on existing, preassembled mounting plate 900.51.00140 (must be ordered separately)
- tool-free and quick installation by means of simple hanging of the seat
- secured by fixing screw
- 350 mm wide, 415 mm deep and 110 mm high
- seat 350 mm wide and 340 mm deep
- for mounting with non-corrosive and tested HEWI fixing materials for different wall systems (to be ordered separately)



Dimensions in mm



Surface/Colours



Alternative surfaces/colours



Powder coatings

Technical information subject to alteration, 10th August 2020

HEWI Heinrich Wilke GmbH
Postfach 1260
D-34442 Bad Arolsen

Telefon: +49 5691 82-366
Telefax: +49 5691 82-99366
international@hewi.com
www.hewi.com

HEWI (UK) Limited
Holm Oak Barn, Beluncle Halt
Stoke Road
Hoo Kent ME3 9NT

Phone +44 1634 258 200
Fax +44 1634 250 099
info@hewi.co.uk
www.hewi.com