

Product data sheet
Hinged seat 900.51.20240

HEWI

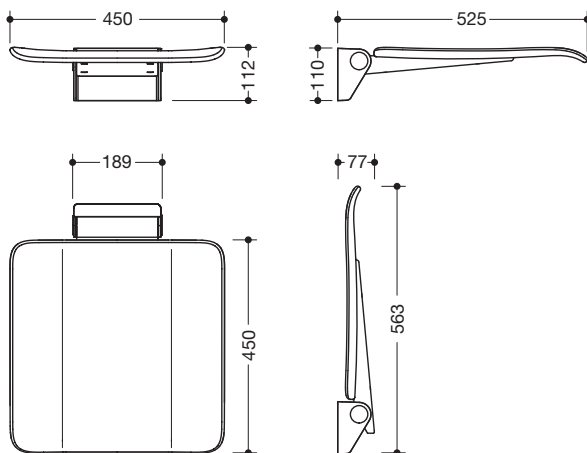


Hinged seat 900.51.20240

- construction consisting of wall bracket and continuous seat
- slip-resistant, textured seat made of synthetic material in HEWI colours 98 (signal white) and 92 (anthracite grey)
- reinforcement of the seat made of aluminium, powder coated in the colour of the seat
- wall bracket made of stainless steel, chrome
- seat can be folded up to save space
- seat depth when folded up 77 mm
- weight capacity up to 150 kg
- 450 mm wide, 525 mm deep and 112 mm high
- seat 450 mm wide and 450 mm deep
- for mounting with non-corrosive and tested HEWI fixing materials for different wall systems (to be ordered separately)
- sealing tape for sealing the fixing points is included in the scope of supply
- fulfils the DIN 18040, ÖNORM B1600/1601 and SIA 500 requirements



Dimensions in mm



Surface/Colours



Alternative surfaces/colours



Powder coatings

Technical information subject to alteration, 16th August 2019

HEWI Heinrich Wilke GmbH
Postfach 1260
D-34442 Bad Arolsen

Telefon: +49 5691 82-366
Telefax: +49 5691 82-99366
international@hewi.com
www.hewi.com

HEWI (UK) Limited
Holm Oak Barn, Beluncle Halt
Stoke Road
Hoo Kent ME3 9NT

Phone +44 1634 258 200
Fax +44 1634 250 099
info@hewi.co.uk
www.hewi.com