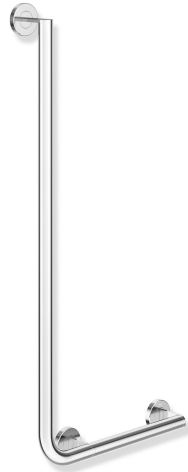




Product data sheet  
L-shaped support rail 900.22.13740

# HEWI



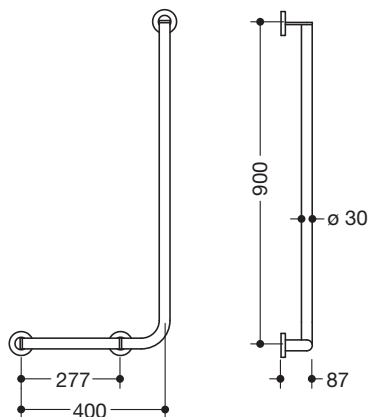
Similar picture

### L-shaped support rail 900.22.13740

- vertical and horizontal rails, joined at right-angles with mounting roses
- left-hand version
- horizontal length 400 mm, vertical length 900 mm, 87 mm deep
- rail diameter 30 mm, tube thickness 2 mm, rose diameter 70 mm
- made of high-quality stainless steel, chrome
- including non-corrosive and tested HEWI fixing material for wall mounting and sealing tape for sealing the drilling points



### Dimensions in mm



#### Surface

Chr

#### Alternative surfaces

DX

DC

AY

SC

Technical information subject to alteration, 16th August 2019

HEWI Heinrich Wilke GmbH  
Postfach 1260  
D-34442 Bad Arolsen

Telefon: +49 5691 82-366  
Telefax: +49 5691 82-99366  
international@hewi.com  
www.hewi.com

HEWI (UK) Limited  
Holm Oak Barn, Beluncle Halt  
Stoke Road  
Hoo Kent ME3 9NT

Phone +44 1634 258 200  
Fax +44 1634 250 099  
info@hewi.co.uk  
www.hewi.com