

Product data sheet
Soap dispenser with holder 900.06.00040

HEWI

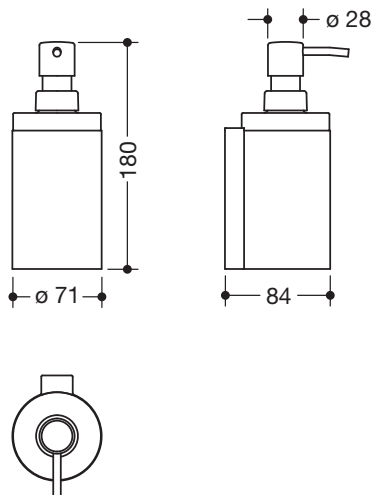


Soap dispenser with holder 900.06.00040

- suitable for use at the washbasin area
- cylindrical wall holder
- holder made of metal, high-quality chrome-plated
- holder with protective film on the inside for a secure, defined position and to protect the glass insert from damage
- 180 mm high, 84 mm deep, diameter 71 mm
- soap dispenser made of high-quality, satin-finish crystal glass
- high-quality chrome-plated pump head
- capacity approx. 200 ml
- for wall mounting, concealed fixing
- including non-corrosive HEWI fixing material



Dimensions in mm



Surface

Chr

Alternative surfaces

XA

DX

DC

AY

SC

Technical information subject to alteration, 16th August 2019

HEWI Heinrich Wilke GmbH
Postfach 1260
D-34442 Bad Arolsen

Telefon: +49 5691 82-366
Telefax: +49 5691 82-99366
international@hewi.com
www.hewi.com

HEWI (UK) Limited
Holm Oak Barn, Beluncle Halt
Stoke Road
Hoo Kent ME3 9NT

Phone +44 1634 258 200
Fax +44 1634 250 099
info@hewi.co.uk
www.hewi.com