

**Product data sheet**  
**Shower basket 900.03.001XA**

# HEWI

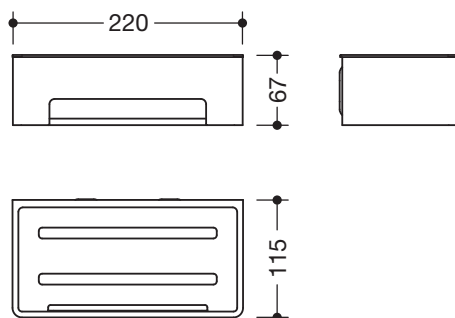


### Shower basket 900.03.001XA

- for wall mounting
- holder made of high-quality satin stainless steel
- Insert made of high-quality synthetic material in HEWI colours 92 (anthracite grey) and 98 (signal-white)
- 220 mm wide, 67 mm high, 115 mm deep
- including non-corrosive HEWI fixing material.



#### Dimensions in mm



#### Surface/Colours



#### Alternative surfaces/colours



Powder coatings

Technical information subject to alteration, 31st March 2021

HEWI Heinrich Wilke GmbH  
Postfach 1260  
D-34442 Bad Arolsen

Telefon: +49 5691 82-366  
Telefax: +49 5691 82-99366  
international@hewi.com  
www.hewi.com

HEWI (UK) Limited  
Holm Oak Barn, Beluncle Halt  
Stoke Road  
Hoo Kent ME3 9NT

Phone +44 1634 258 200  
Fax +44 1634 250 099  
info@hewi.co.uk  
www.hewi.com