

Product data sheet

Soap or disinfectant dispenser with holder
815.06.11065

HEWI

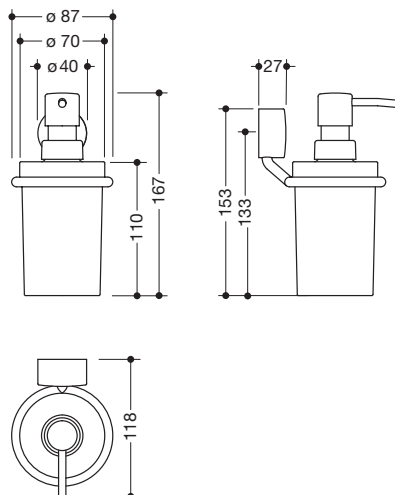


Soap or disinfectant dispenser with holder 815.06.11065

- ring-shaped wall-mounted bracket with soap dispenser
- bracket made of stainless steel, matt black powder-coated
- soap dispenser made of high-quality, satin-finish crystal glass
- serves to hold commercially available liquid soap, disinfectants and gels
- high-quality chrome-plated pump head
- 87 mm wide, 167 mm high and 118 mm deep
- for wall mounting, concealed rose fixing
- including non-corrosive HEWI fixing material



Dimensions in mm



Surface/Material

DC

Alternative surface/material

Chr

Technical information subject to alteration, 29th November 2021

HEWI Heinrich Wilke GmbH
Postfach 1260
D-34442 Bad Arolsen

Telefon: +49 5691 82-366
Telefax: +49 5691 82-99366
international@hewi.com
www.hewi.com

HEWI (UK) Limited
Holm Oak Barn, Beluncle Halt
Stoke Road
Hoo Kent ME3 9NT

Phone +44 1634 258 200
Fax +44 1634 250 099
info@hewi.co.uk
www.hewi.com